

MP300 Dot Matrix Printer Mechanism

Features

- Stepping motor allows fast (3 inches/sec.) and smooth paper feed
- Long lasting ribbon cassette
 - Purple: 6 million characters
 - Black: 1.6 million characters
- High durability
 - MCBF : 5 million lines
 - Head : 100 million characters)
- Auto-cutter on MP342F
- Fits into receipt and ticketing devices
- Friction feed
- Graphics



MP312N (w/o paper feed)
No platen version offers flexible paper transport design



MP312F - Friction Feed



MP342 – Friction Feed
(w/ Auto cutter)

MP300

The MP300 series of mechanisms provides OEMs/ system integrators with the flexibility of designing their own printing systems.

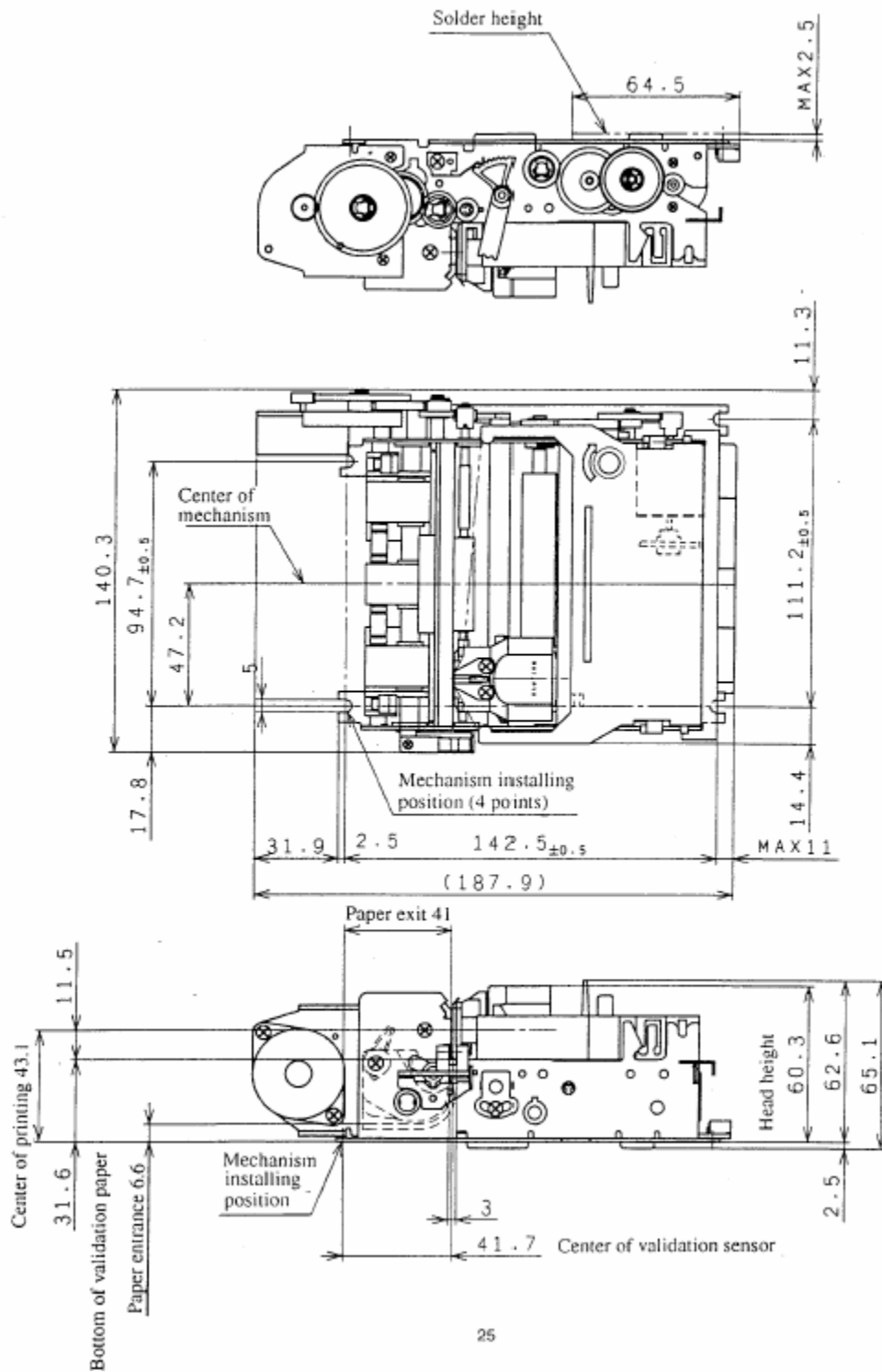
Specifications

Print Speed	3.3 LPS
Paper Width	2.25" (57.5 mm) 3" (76 mm) 3.25" (82.5 mm)
Resolution	72 dpi
Print Width	65.7mm (2.6")
Print Columns	40
Character Size	7 x 9, 5 x 9
Reliability	5 Million Lines (MCBF) Print Head 100 Million Characters
Multiple Copies	Original + 2 Copies
Operating Voltage	24V ± 1V

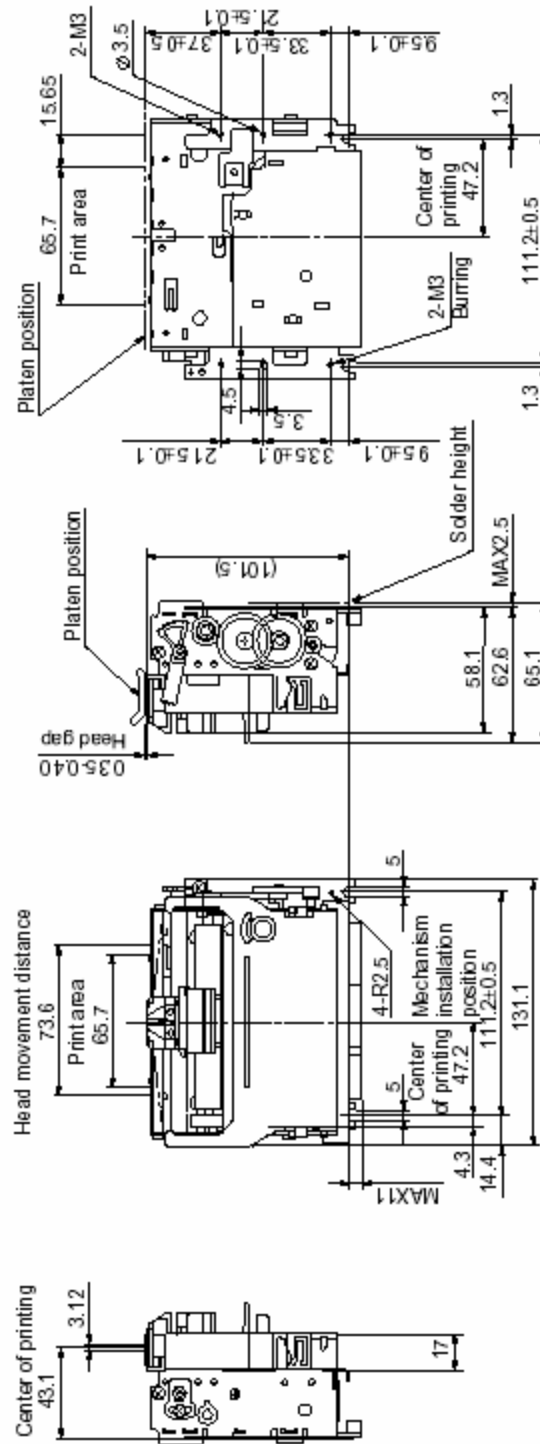
Part Numbers	
Printer Mechanism – MP312F-24-A MP312N-24-A MP342FX-24-A (full cut) MP342FX-24-L (partial cut)	89113010 89113040 89113221 89113231
Control Board – BD300FD-24-CX (RS232C Serial) BD300FC-24-BX (Centronics Parallel)	87219240 87219101
Cable Unit connecting to mechanism (print head) – Cable Unit 14X100 (100 mm length) – Cable Unit 14X265 (265 mm length) – Cable Unit 14X330 (300 mm length)	80703790 80702680 80703920
Cable Unit connecting to mechanism (Printer Control) – Cable Unit 19X100 (100 mm length) – Cable Unit 19X265 (265 mm length) – Cable Unit 19X330 (300 mm length)	80703800 80702690 80703930
Power Supply – Cable Unit 4X510C	80703420
Control Panel – Cable Unit 8X510C (For developing custom control panel) Panel Board Unit (Optional)	80703430 87210310
Paper Winder PW300-24	89119010
Optional Interface to BD300FD-24-CX BD300K (RS422) BD300L (20 mA Current Loop)	87219062 87219051
Ribbon Cassette – RC300P (Purple)	80980981
Ribbon Cassette – RC300B (Black)	80981611

MP300 External Dimensions

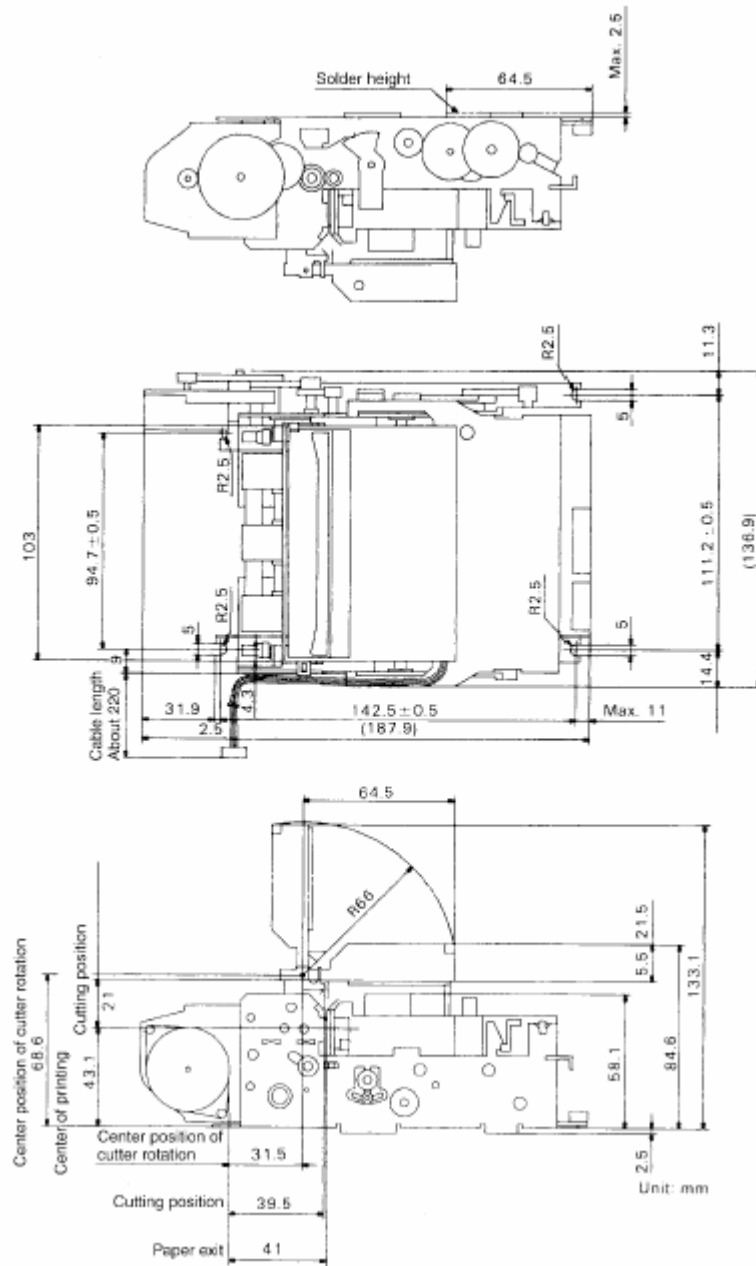
MP312F Mechanism



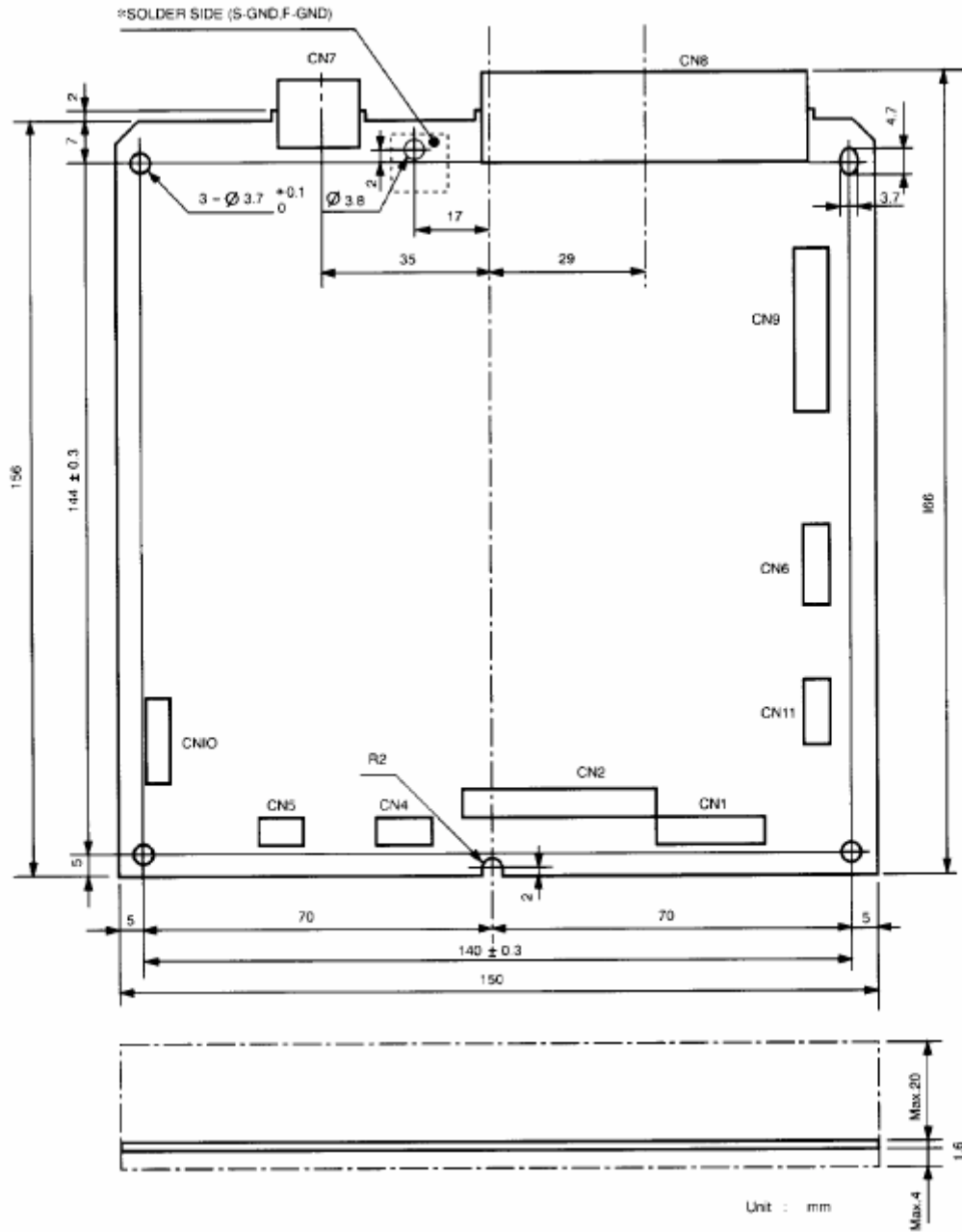
MP312N Mechanism



MP342 Mechanism



BD300FD-24-CX



BD300FC-24-BX

