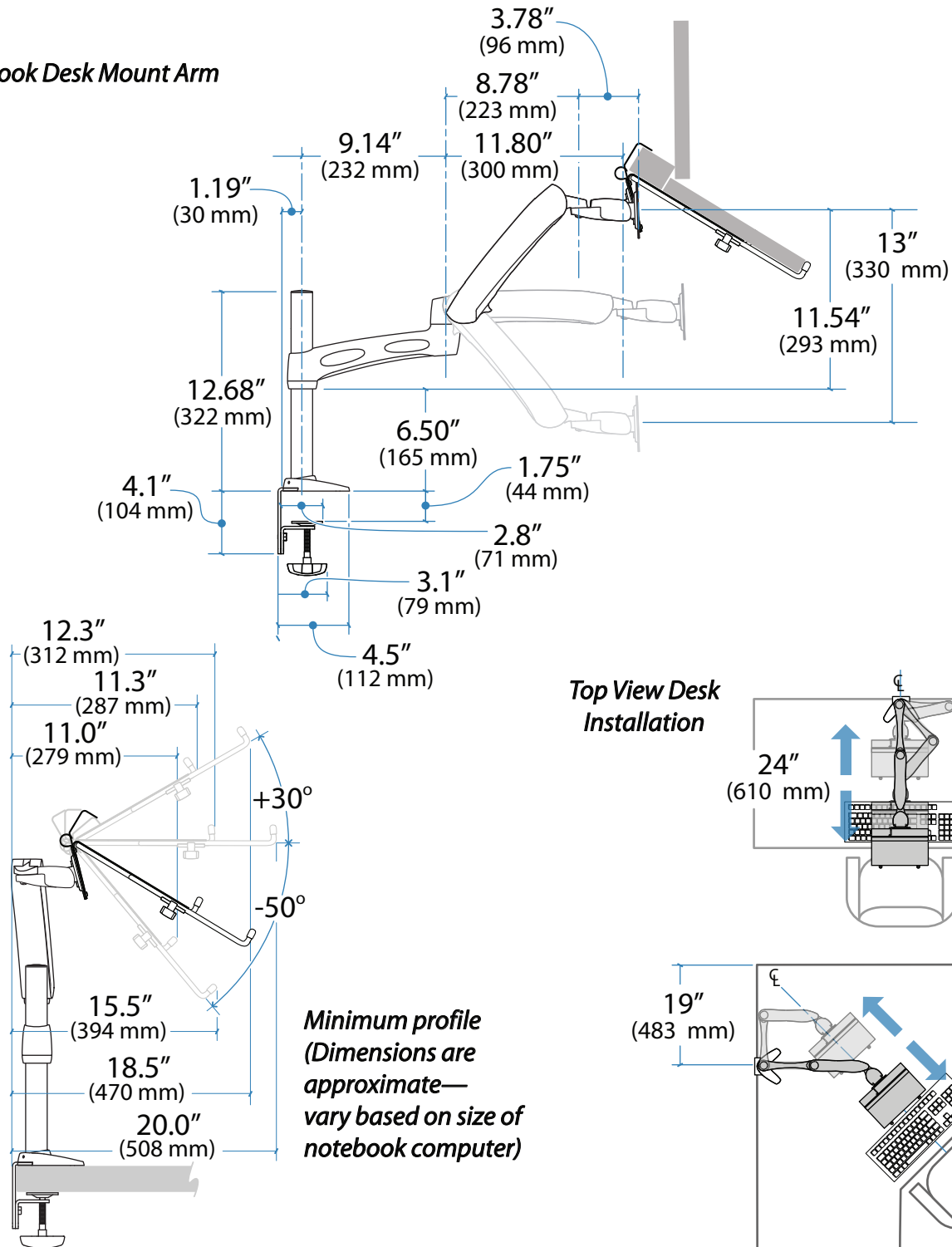
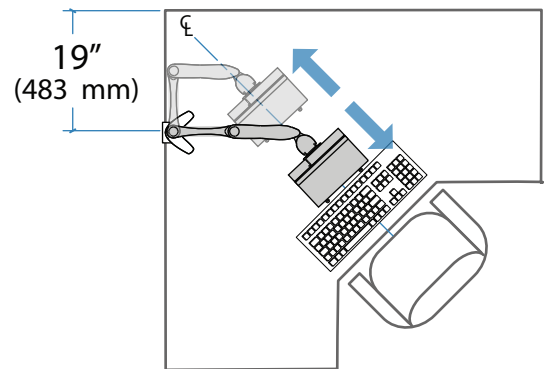
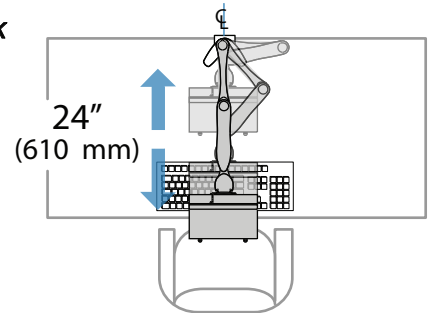


Notebook and Dual Desk Mount Arms

Notebook Desk Mount Arm

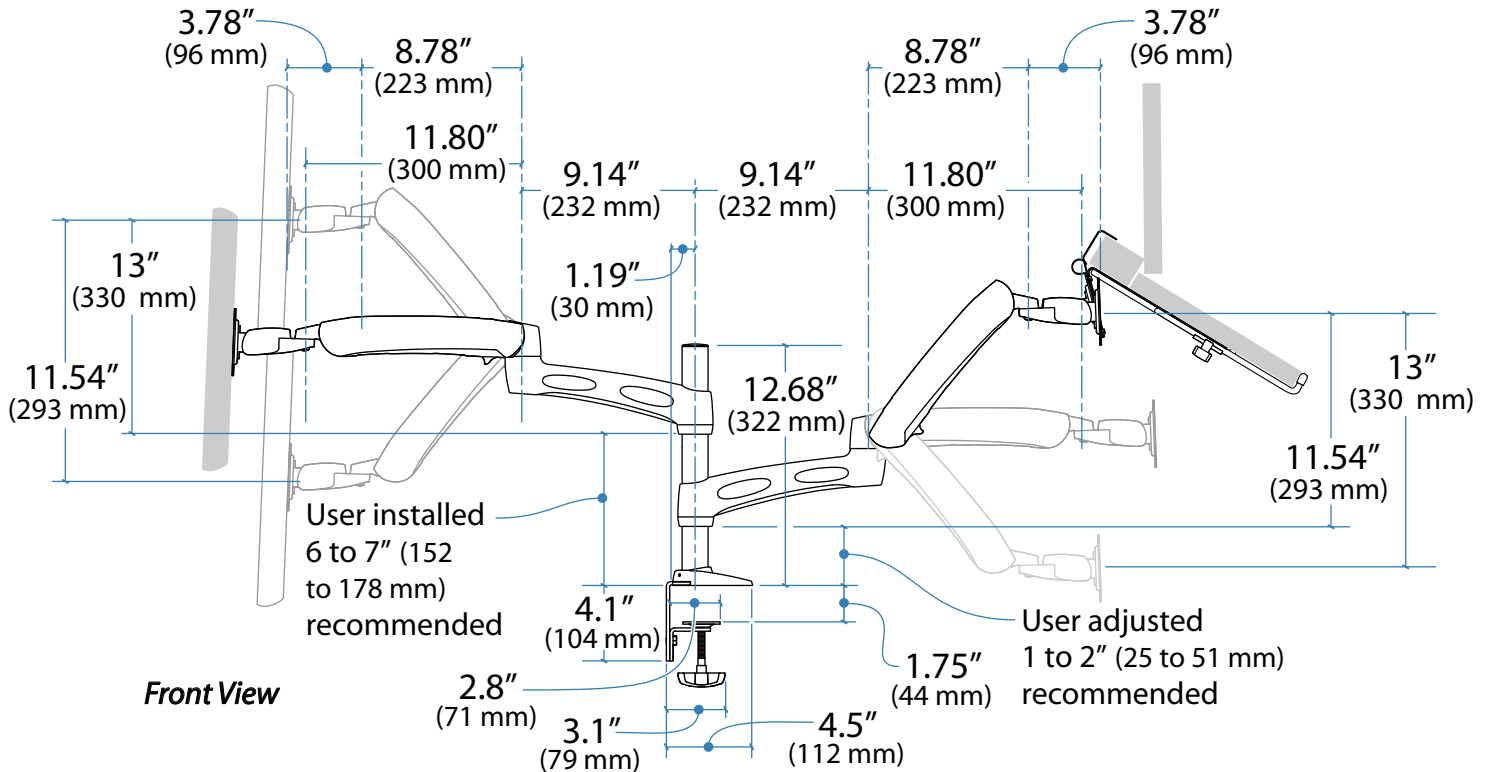


Top View Desk
Installation

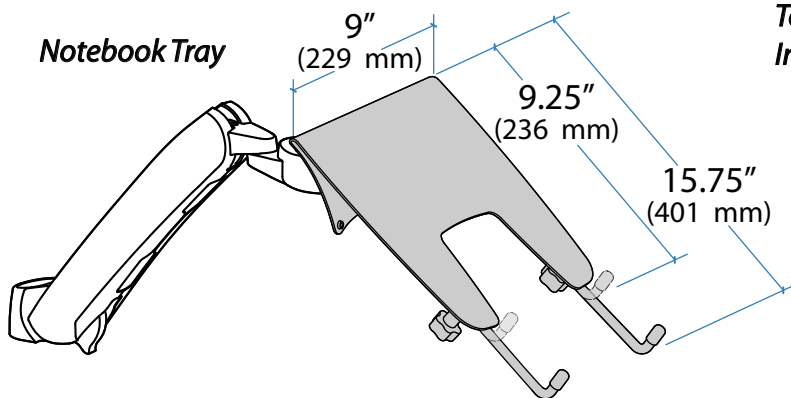


Notebook and Dual Desk Mount Arm

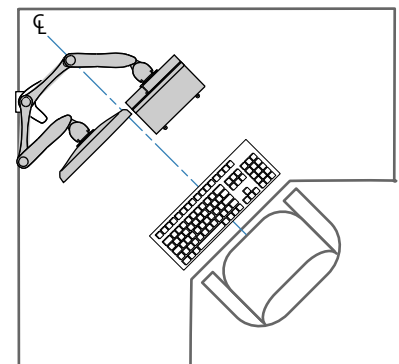
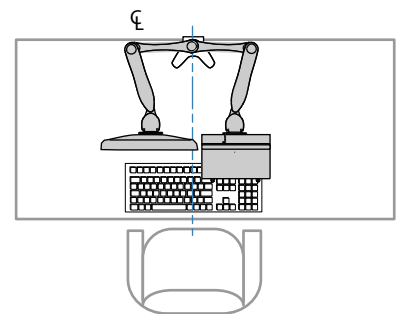
Dual Desk Mount Arm



Notebook Tray



Top View Desk Installation



Monitor depth greater than 2" (5 cm) may diminish capacity.

Maximum Display Thickness	Maximum Display Weight
2" (51 mm)	20 lbs (9.1 kg)
2-1/2" (64 mm)	15 lbs (7.0 kg)
3" (76 mm)	13 lbs (5.8 kg)
3-1/2" (90 mm)	11 lbs (5.0 kg)
4" (102 mm)	10 lbs (4.5 kg)

© 2006 Ergotron, Inc. rev. 03/05/2007 DIM-062 Content is subject to change without notification.

Americas Sales and Corporate Headquarters

St. Paul, MN USA
 (800) 888-8458
 +1-651-681-7600
 www.ergotron.com
 sales@ergotron.com

EMEA Sales

Amersfoort, The Netherlands
 +31 33 45 45 600
 www.ergotron.com
 info.eu@ergotron.com

APAC Sales

Singapore
 www.ergotron.com
 info.apac@ergotron.com

Worldwide OEM Sales

www.ergotron.com
 info.oem@ergotron.com

