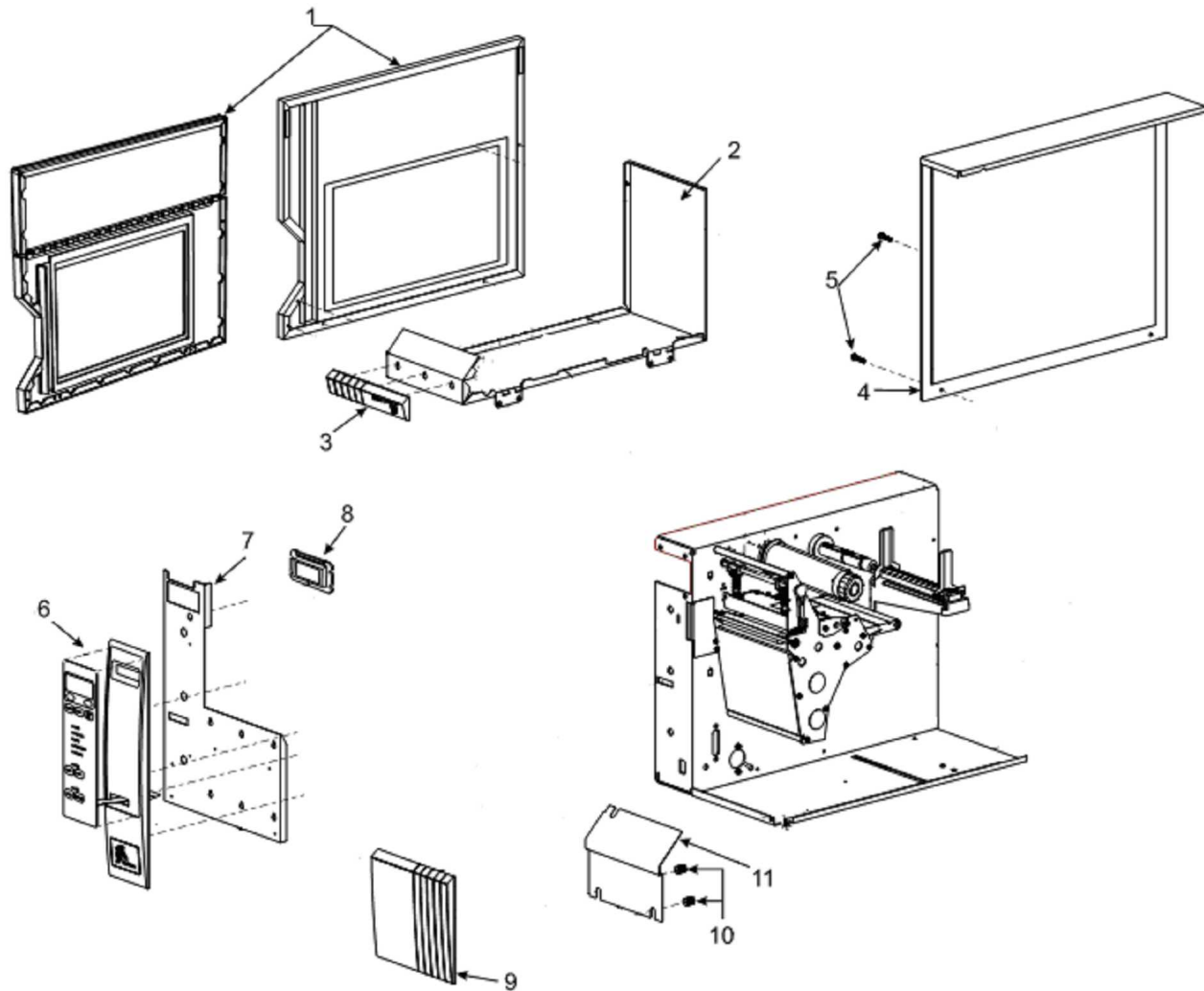


110Xi3 Plus Parts Catalog

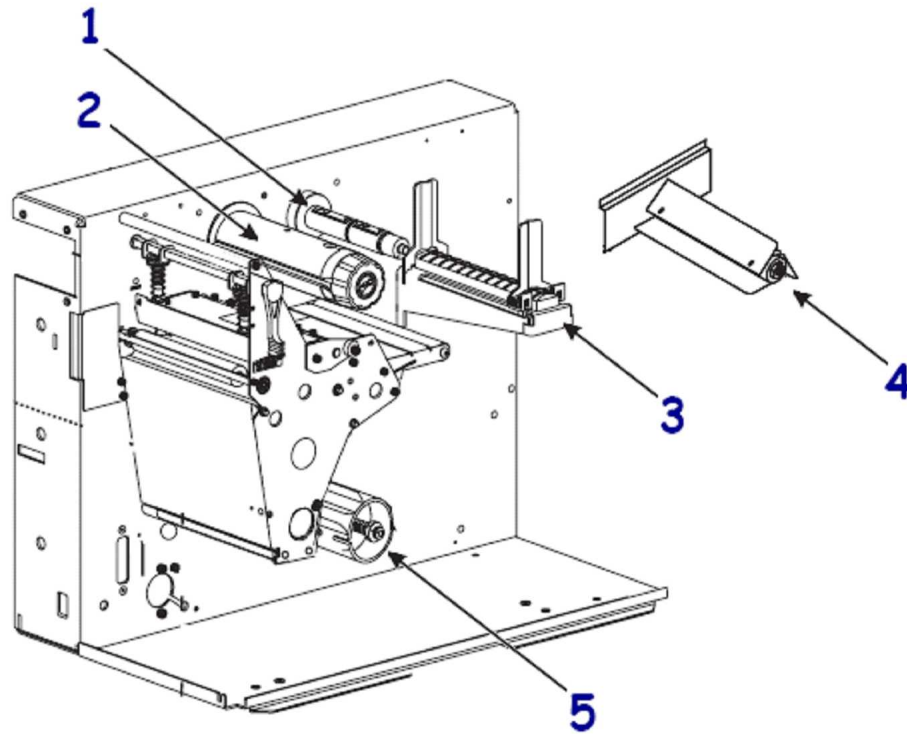
Outer Casing Components



Item Number	Description	Part Number	Kit Quantity
1	Clear Media Door Panel	46937	1
1	Kit Bi-Fold Clear Media Door Panel	G47077M	1
2	Kit Media Cover	41021M	1
3	110XiIII Plus 203 dpi Product Name Plate	33310-1	1
3	110XiIII Plus 300 dpi Product Name Plate	33310-2	1
3	110XiIII Plus 600 dpi Product Name Plate	33310-3	1
4	Kit Electronics Cover	G32036M	1
5	Screw 6-32 0.37, Qty of 100	HW32413-006	1
6	Kit Switch Panel and Membrane	G22492M	1
7	Front Cover	33036-5	1
8	Kit Maint LCD	G32043M	1
9	Lower Media Trim Panel	41003	1
10	Thumb Nut 6-32 x .50 Brass, Qty of 25	HW01815	25
11	Front Cover Bracket	41042	1

110Xi3 Plus Parts Catalog

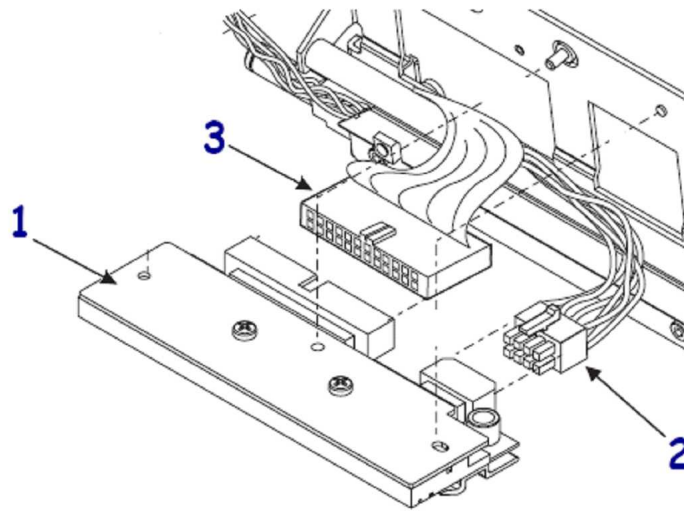
Ribbon and Media Spindles



Item Number	Description	Part Number	Kit Quantity
1	Kit Ribbon Supply Spindle Assembly	G41151M	1
2	Kit Ribbon Take Up Spindle	G41150M	1
3	Kit Media Supply Hanger	G41153M	1
4	Kit Media Supply Spindle 3 inch ID Media Core	G41253M	1
4	Kit Media Supply Spindle 40mm ID Media Core	G41254M	1
5	Kit Media Rewind Spindle Replacement	G41155M	1

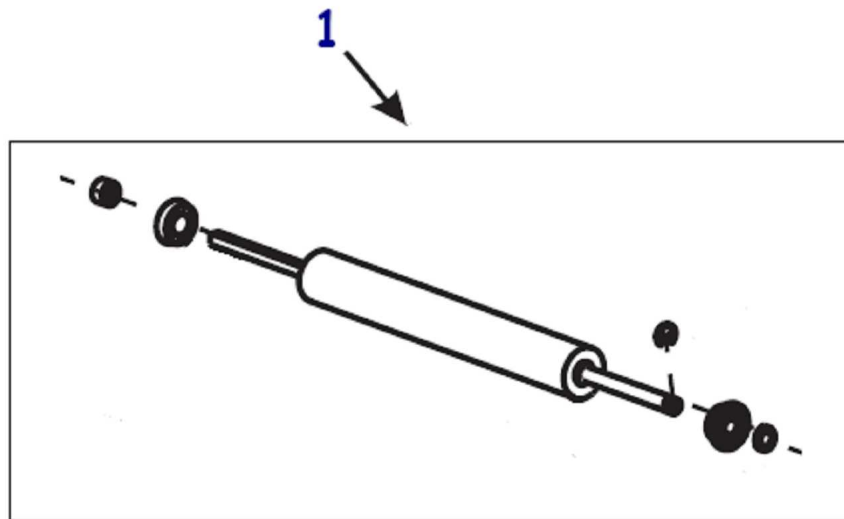
110Xi3 Plus Parts Catalog

Printhead Components



Item Number	Description	Part Number	Kit Quantity
1	Printhead 110XiIIIPlus 203 dpi	G41000-1M	1
1	Printhead 110XiIIIPlus 300 dpi	G41001M	1
1	Printhead 110XiIIIPlus 600 dpi	G47500M	1
2	Printhead Power Cable 203 dpi & 300 dpi	34578	1
2	Printhead Power Cable 600 DPI	37823	1
3	Printhead Data Cable 203 dpi & 300 dpi	37937	1

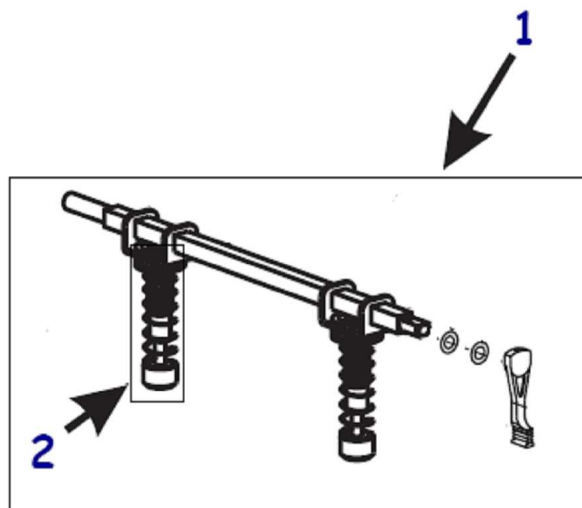
Platen Rollers



Item Number	Description	Part Number	Kit Quantity
1	Kit Platen Roller for 203 dpi & 300 dpi	G41011M	1
1	Kit Platen Roller for 600 dpi	G41016M	1

110Xi3 Plus Parts Catalog

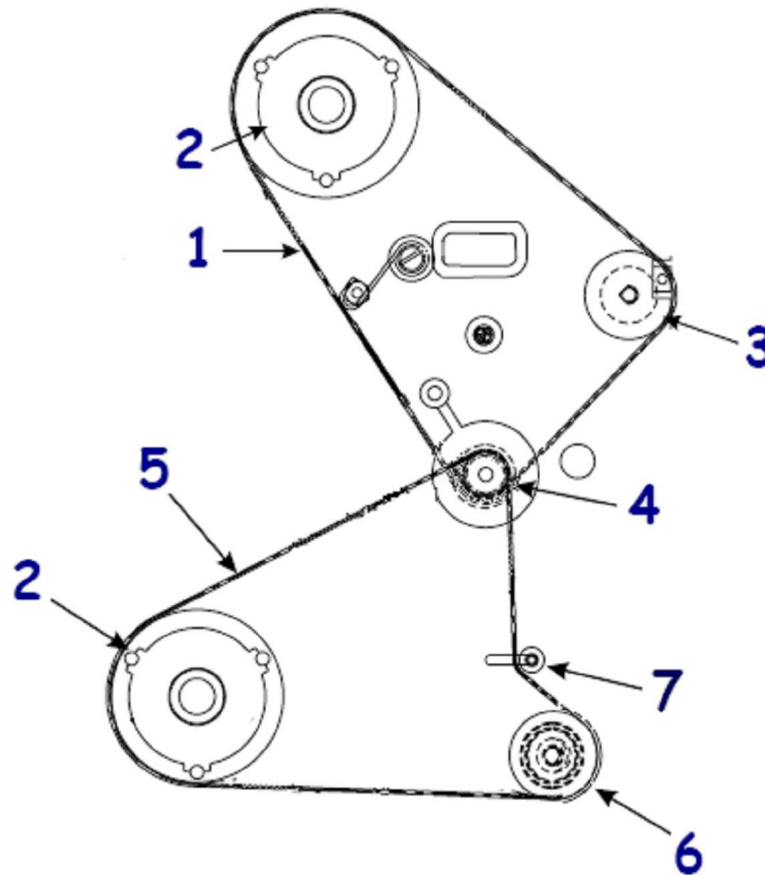
Pivot bar



Item Number	Description	Part Number	Kit Quantity
1	Kit Pivot Bar (includes toggle assemblies)	G41022M	1
2	Kit Toggle Assembly Only (Qty of 1)	35099M	1

110Xi3 Plus Parts Catalog

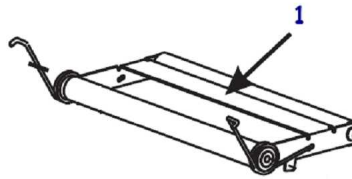
Drive System Components



Item Number	Description	Part Number	Kit Quantity
1	Main Drive Belt for 203 dpi & 300 dpi	45189-5	1
1	Main Drive Belt for 600 dpi	45189-12	1
2	Kit Pulley for Ribbon Take Up and Media Take Up 203 dpi & 300 dpi	31336M	1
2	Kit Pulley for Ribbon Take Up and Media Take Up 600 dpi	G33094-6M	1
3	Kit Platen Pulley for 203 dpi & 300 dpi	40355M	1
3	Kit Platen Pulley for 600 dpi	G33079-6M	1
4	Kit DC Stepper Motor w/Pulley for 203 dpi	G46198M	1
4	Kit DC Stepper Motor w/Pulley for 300 dpi	G46199M	1
4	Kit DC Stepper Motor w/Pulley for 600 dpi	G33087-6M	1
5	Media Rewind Belt for 203 dpi & 300 dpi	45189-2	1
5	Media Rewind Belt for 600 dpi	45189-13	1
6	Kit Peel Roller Pulley for 203 dpi & 300 dpi	30914M	1
6	Kit Peel Roller Pulley for 600 dpi	G47915M	1
7	Media Rewind Idler Pulley	30265	1
	Shaft for Media Rewind Idler Pulley	30207	1

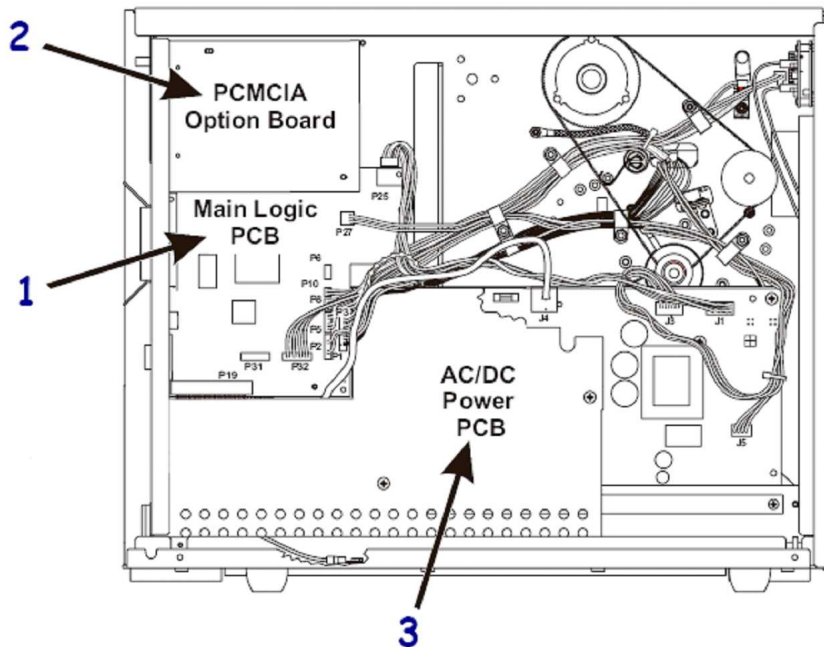
110Xi3 Plus Parts Catalog

Dancer



Item Number	Description	Part Number	Kit Quantity
1	Kit Dancer Assy for 203 dpi & 300 dpi	41691M	1

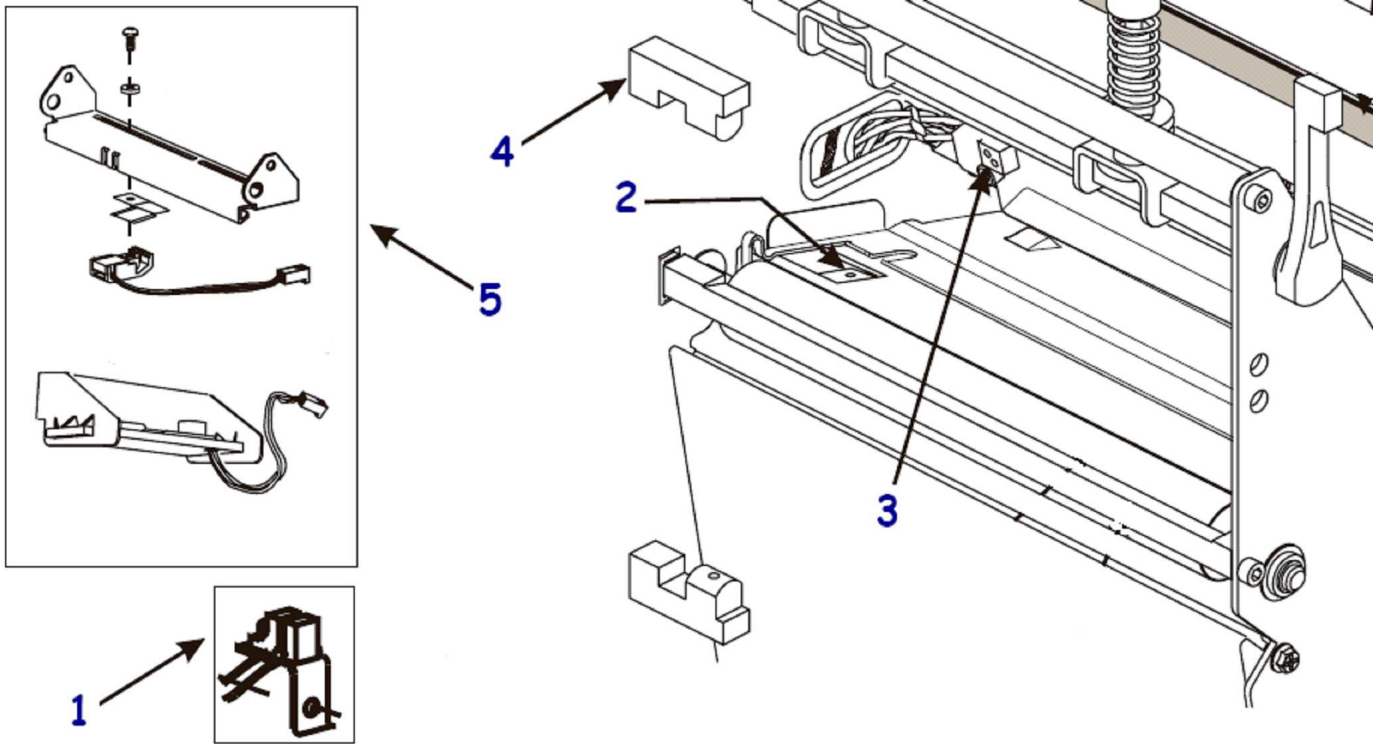
Electronic Components



Item Number	Description	Part Number	Kit Quantity
1	Kit Main Logic Board 110XiIII Plus 4MB	34901-031M	1
1	Kit Main Logic Board 110XiIII Plus 64MB	34901-033M	1
2	Kit PCMCIA Board Assy	G33037M	1
3	Kit Integrated AC/DC Power Supply for 203 dpi & 300 dpi	G33050M	1
3	Kit Integrated AC/DC Power Supply for 600 dpi	G41055M	1
	Kit Cutter PCB	G49730M	1
	Kit Internal Wireless Plus 802.11 b/g Radio. For use in the U.S., Canada, EU, Australia, New Zealand	29652-002M	1
	Kit Antenna Replacement for the Internal Wireless Plus Radio	39538M	1
	Kit Internal ZebraNet Printserver 10/100 (Ethernet port)	G47480	1
	Kit Internal ZebraNet Printserver 10Base-T (Ethernet port)	G46689	1
	Kit Wireless Plus Board. In order to achieve wireless function, a separate radio card must be purchased (not included).	29651-002M	1
	Kit IBM Twinax Upgrade	G48924	1
	Kit IBM Coax Upgrade	G48925	1

110Xi3 Plus Parts Catalog

Sensors

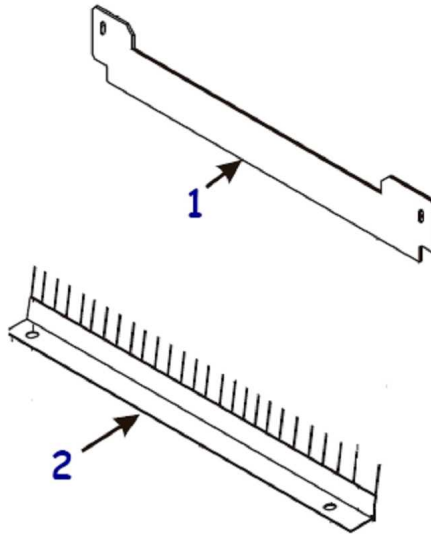


Item Number	Description	Part Number	Kit Quantity
1	Kit Head Open Sensor	G22613M	1
2	Kit Reflective Media (Black Mark) Sensor	G38226M	1
3	Kit Ribbon Sensor	G46665M	1
4	Kit Take Label Sensor (Upper and Lower)	G46609-4M	1
5	Kit Media Sensor Assembly (Upper and Lower)	G41302M	1
	Kit Flag for Head Open Sensor	G46352M	1
	Kit Cutter Sensor	G46618M	1



110Xi3 Plus Parts Catalog

Ribbon Strip Plates & Ribbon Static Brushes

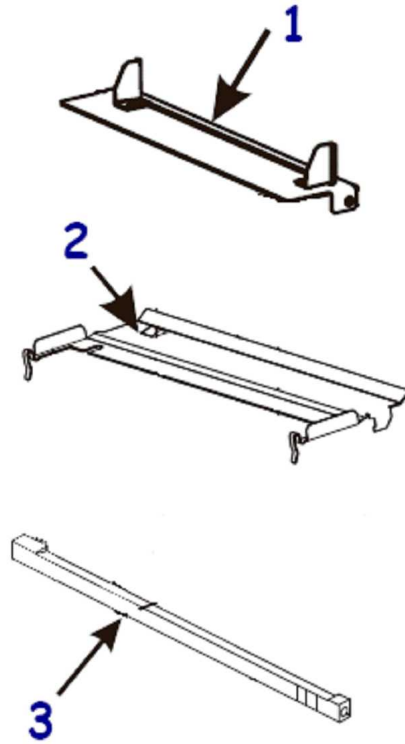


Item Number	Description	Part Number	Kit Quantity
1	Ribbon Strip Plate for 203 dpi & 300 dpi	41017	1
1	Ribbon Strip Plate for 600 dpi	47017	1
2	Ribbon Static Brush for 203 dpi & 300 dpi	41069	1
2	Ribbon Static Brush for 600 dpi	47099	1



110Xi3 Plus Parts Catalog

Media Guides - Media Guide Plates - Tear Bars

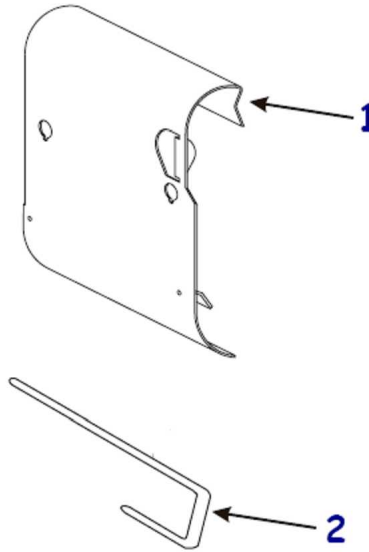


Item Number	Description	Part Number	Kit Quantity
1	Kit Media Guide	G41305M	1
2	Upper Media Guide Plate	41015	1
3	Peel/Tear-Off Bar	33852	1



110Xi3 Plus Parts Catalog

Media Rewind Components



Item Number	Description	Part Number	Kit Quantity
	Media Rewind Upgrade Kit for 203 dpi & 300 dpi (enables rewind and peel-off option)	G41355	1
	Media Rewind Upgrade Kit 600 dpi (enables rewind and peel-off option)	G41355-6	1
1	Kit Media Rewind Plate	G41383M	1
	Kit Rewind Platen Roller for 203 dpi & 300 dpi (same as main platen roller)	G41011M	1
	Kit Rewind Platen Roller for 600 dpi (same as main platen roller)	G41016M	1
2	J-Hook Media Rewind	47062-5	1

Cutter Components

Item Number	Description	Part Number	Kit Quantity
	Kit Cutter Option Includes Catch Tray	G41353	1
	Kit Cutter Motor Maintenance	G30374M	1
	Kit Cutter Upper Drive Arm	46280M	1
	Kit Cutter Main Link	G30378M	1
	Kit Cutter Slotted Link	G30379M	1
	Kit Cutter Lower Drive Arm	G40380M	1
	Cutter Static Brush 5.50 x .50	41053	1
	Cutter Catch Tray	G41387M	1
	Kit Cutter Sensor	G46618M	1
	Kit Cutter PCB	G49730M	1

Packing Materials for Printer Shipping

Item Number	Description	Part Number	Kit Quantity
	Kit Packing Material	41311PM	1
	Kit Packing Materials Qty of 10	G41311PBM	10



110Xi3 Plus Parts Catalog

Hardware

Item Number	Description	Part Number	Kit Quantity
	Cable Clamp 0.312 dia, Qty. of 25	HW01117	25
	Cable Clamp 0.500 dia, Qty of 25	HW06222	25
	Nut 6-32, Qty of 25	HW33809	25
	Nut 4-40 R S Zn Hx Elwash, Qty of 25	HW33823	25
	Crescent Ring Ext .250 Yel, Qty of 100	HW33810	100
	Screw 4-40 x .31, Qty of 25	HW78802	25
	Screw M4 x .7 x 5 Pn Ph Blk, Qty of 25	HW33826	25
	Bearing .500 x .252 x .250, Qty of 10	HW30198	10
	Bearing .375 x .189 x .125, Qty of 25	HW30199	25
	Washer Flt .564 x .384 x .060, Qty of 10	HW33806	10
	Screw 4-40 x .25 Tr Ph S, Qty of 25	HW32332	25
	Stop Head Lift Spring, Qty of 10	HW30266	10
	Plug Hole, Qty of 25	HW30826	25
	Washer Flt .207 x .146 x .030, Qty of 10	HW30956	10
	Nut Expansion 8/10, Qty of 25	HW40462	25
	Washer .50 x .25 x .031, Qty of 25	HW43974	25
	Rubber Grommet 1.25 x .62 x .105, Qty of 10	HW46091	10
	Hole Plug, Qty of 25	HW46267	25
	Scrw 10-32 .312 Cp So H Bo, Qty of 25	HW30394-005	25
	Screw 1/4 x 20 x .38 Bu So H Bo, Qty of 25	HW30405-006	25
	Screw 4-40 x .375, Qty of 25	HW30406-006	25
	Screw 6-32 x 0.5, Qty of 25	HW30407-008	25
	Screw 6-32 0.37, Qty of 100	HW32413-006	100
	Screw 6-32 x .750, Qty of 25	HW32413-012	25
	Screw 4-40 3/16, Qty of 100	HW46882-003	100
	Screw M4 x .7 x 10, Qty of 100	HWQ10011	100
	Ring E Ext .250, Qty of 100	HWQ10019	100
	Screw, 6-32 .125, Qty of 25	HW33828	25
	Screw, 8-32 .250, Qty of 25	HW33812-004	25
	Cvd Washer .344 x .172 x .006, Qty of 25	HW40194	25
	Head Open Flag, Qty of 50	HW46352	50