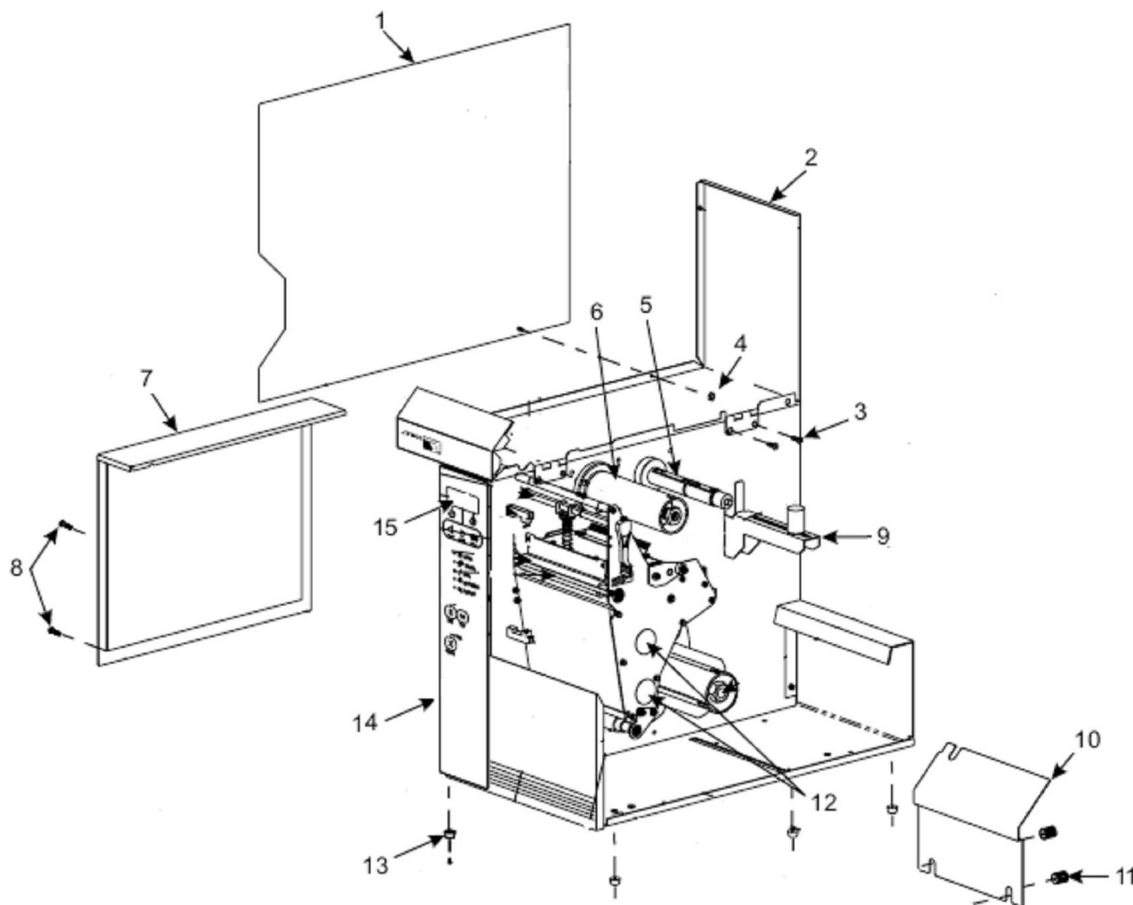


105SL Parts Catalog

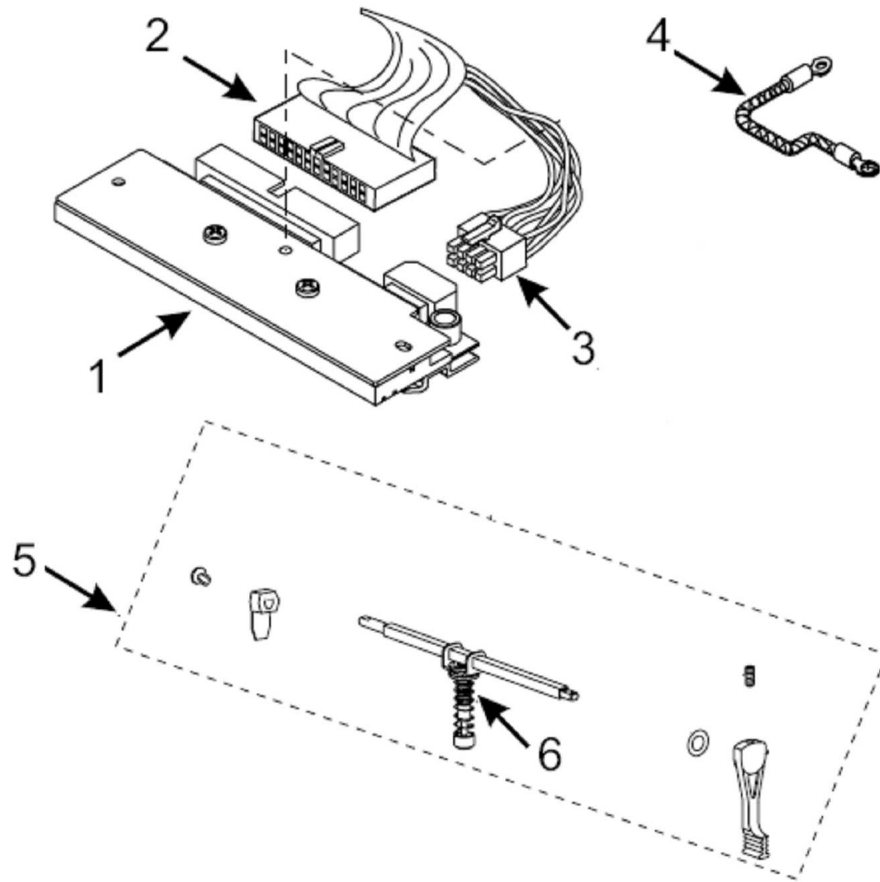
Outer Casing and Media Side Assemblies



Item Number	Description	Part Number	Kit Quantity
1	Media Access Panel	31040	1
2	Kit Media Cover	32039M	1
3	Screw 6-32 x 0.5	HW30407-008	25
4	Nut 6-32	HW33809	25
5	Kit Ribbon Supply Spindle Improved Design	32325M	1
	Ribbon Static Brush	31899	1
	Ribbon Strip Plate	48017	1
6	Kit 105SL Ribbon Take-Up Spindle	G40050M	1
7	Kit Electronics Cover	G32038M	1
8	Screw 6-32 0.37, Qty of 25	HW32413-006	25
9	Kit Media Supply Hanger for serial numbers greater than or equal to 6479154	45053M	1
9	Kit Media Supply Hanger for serial numbers less than or equal to 6479153	G32053M	1
10	Front Cover Bracket	32342	1
11	Thumb Nut 6-32 x .50 Brass, Qty of 25	HW01815	1
12	Plug, Hole	HW30826	25
13	Bumper Foot Round, Qty of 25	HW33844	1
14	Kit Control Panel (Front Membrane Switch)	G32021M	1
15	Kit Display (LCD) Replacement	G32043M	1

105SL Parts Catalog

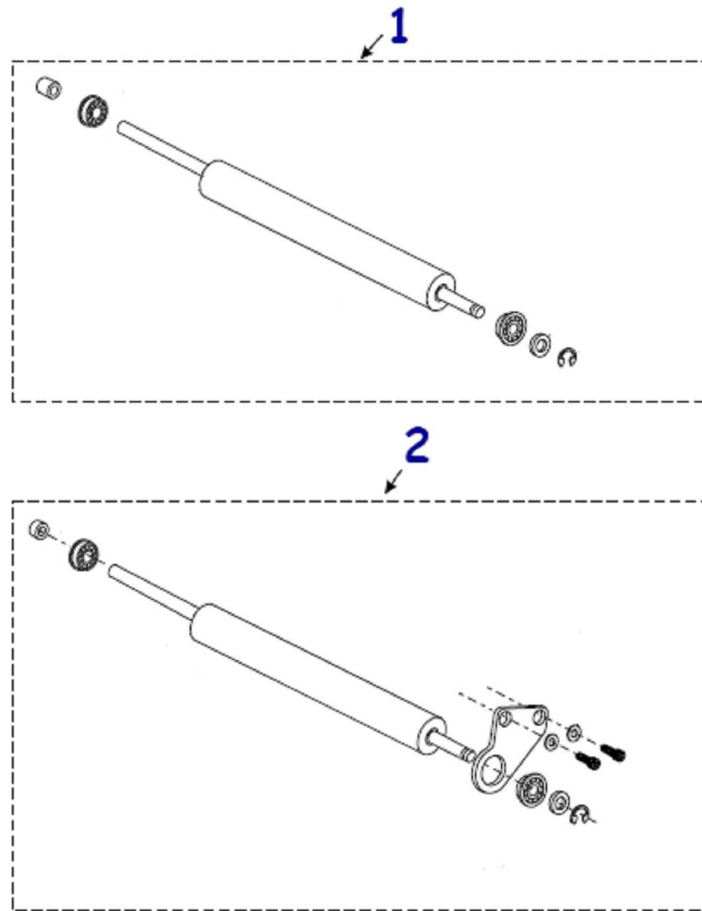
Printhead Components



Item Number	Description	Part Number	Kit Quantity
1	Printhead 105SL 203 dpi	G32432-1M	1
1	Printhead 105SL 300 dpi	G32433M	1
2	Printhead Data Cable For 105SL Configuration Formats: 10500-2XXX-XXXX & 10500-3XXX-XXXX	37937	1
2	Printhead Data Cable For 105SL Configuration Formats: 10500-0XXX-XXXX & 10500-1XXX-XXXX	32075	1
3	Printhead Power Cable For 105SL Configuration Formats: 10500-2XXX-XXXX & 10500-3XXX-XXXX	34578	1
3	Printhead Power Cable For 105SL Configuration Formats: 10500-0XXX-XXXX & 10500-1XXX-XXXX	32080	1
4	Printhead Ground Cable	37875	1
5	Kit Pivot Bar (includes Toggle Assembly)	G32034M	1
6	Kit Printhead Toggle Assembly	35099M	1

105SL Parts Catalog

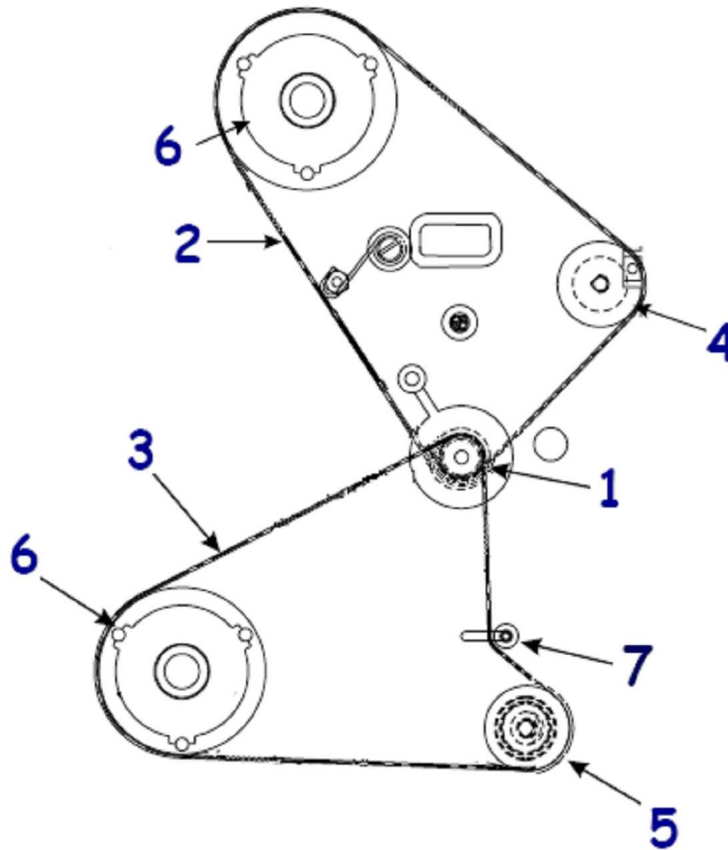
Platen Rollers



Item Number	Description	Part Number	Kit Quantity
1	Kit Platen Roller	G32011M	1
2	Kit Lower Peel Roller	G32101M	1

105SL Parts Catalog

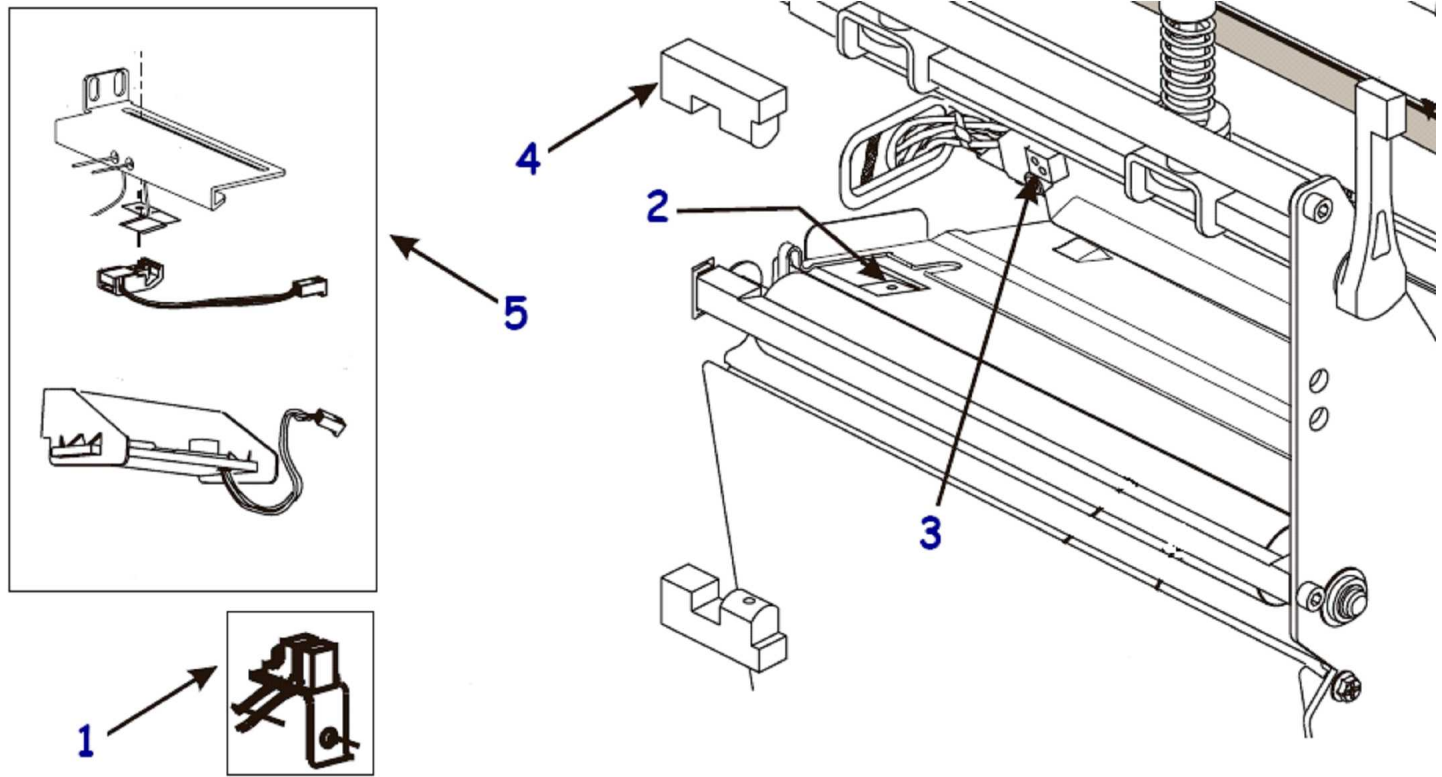
Drive System Components



Item Number	Description	Part Number	Kit Quantity
1	Kit DC Stepper Motor w/Pulley 203 DPI	G46198M	1
1	Kit DC Stepper Motor w/Pulley 300 DPI	G46199M	1
2	Main Drive Belt	45189-5	1
3	Media Rewind Belt	45189-2	1
4	Kit Platen Pulley	40355M	1
5	Kit Peel Roller Pulley	30914M	1
6	Kit Pulley for Media Take Up & Ribbon Take Up	31336M	1
7	Rewind Idler Pulley	30265	1
	Idler Pulley Shaft	30207	1

105SL Parts Catalog

Sensors



Item Number	Description	Part Number	Kit Quantity
1	Kit Head Open Sensor	G22613M	1
2	Kit Reflective Sensor (Black Mark sensor)	G38226M	1
3	Kit Ribbon Out Sensor	G46665M	1
4	Kit Take Label Sensor (Upper and Lower)	G46609-4M	1
5	Kit Media Sensor (Upper and Lower)	G32028M	1
	Kit Flag for Head Open Sensor	G46352M	1
	Kit Cutter Sensor	G46618M	1



105SL Parts Catalog

**Electronic Components For 105SL Units with Configuration Number Format:
10500-2XXX-XXXX and 10500-3XXX-XXXX**

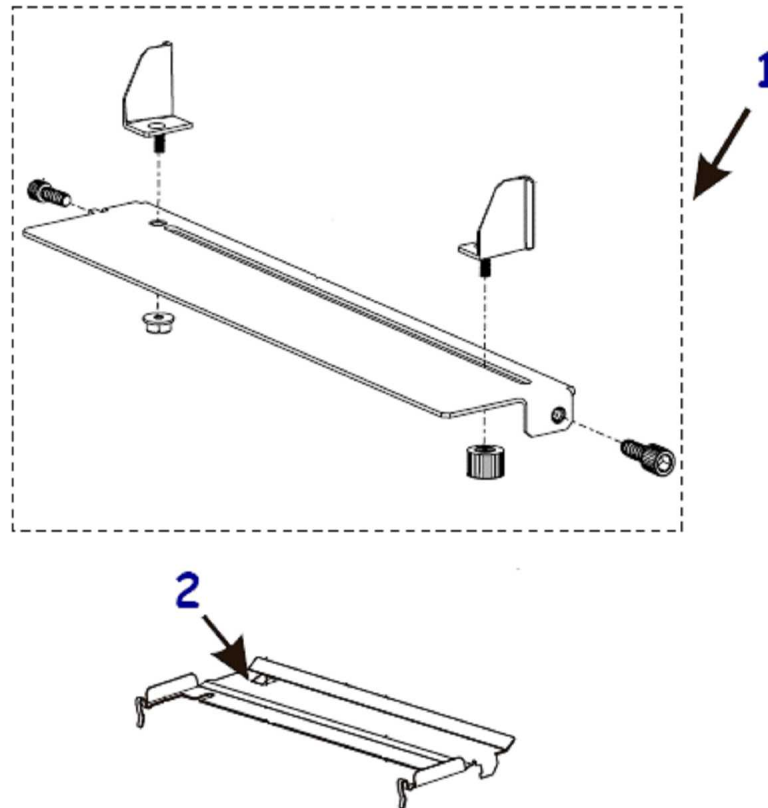
Item Number	Description	Part Number	Kit Quantity
	Kit Main Logic Board 105SL 4MB	34901-020M	1
	Kit Main Logic Board 105SL 64MB	34901-021M	1
	Kit PCMCIA Board Assy	G33037M	1
	Kit AC/DC Power Supply	G33050M	1
	Kit Internal Wireless Plus 802.11 b/g Radio. For use in the U.S., Canada, EU, Australia, New Zealand	29652-002M	1
	Kit Antenna Replacement for the Internal Wireless Plus Radio	39538M	1
	IPv4 Internal Print Server 10/100 IPv4	G47480	1
	IPv4 Internal Print Server II 10Base-T IPv4	G46689	1
	Kit Wireless Plus Board. In order to achieve wireless function, a separate radio card must be purchased (not included).	29651-003M	1
	IPv4 External Print Server 10/100 IPv4	G47490	1
	Kit IBM Twinax Upgrade (includes Twinax Cable)	G48924	1
	IBM Twinax Cable	37995	1
	Kit IBM Coax Upgrade (includes Coax Cable)	G48925	1
	Coax Ext IBM Cable	37999	1
	IPv6 Internal Print Server IPv6	P1000220	1

**Electronic Components For 105SL Units with Configuration Number Format:
10500-0XXX-XXXX and 10500-1XXX-XXXX**

Item Number	Description	Part Number	Kit Quantity
	Kit Main Logic Board for use with PCMCIA card (Use with printers that have configuration 10500-0XXX-XXXX and 10500-1XXX-XXXX)	32091M	1
	Kit Main Logic Board for use without PCMCIA card (Use with printers that have configuration 10500-0XXX-XXXX and 10500-1XXX-XXXX)	32092M	1
	Kit AC Power Supply (Use with printers that have configuration 10500-0XXX-XXXX and 10500-1XXX-XXXX)	32060M	1
	Kit DC Power Supply (Use with printers that have configuration 10500-0XXX-XXXX and 10500-1XXX-XXXX)	32070M	1

105SL Parts Catalog

Media Guide - Snap Plate - Media Bin - Tear Bar



Item Number	Description	Part Number	Kit Quantity
1	Kit Media Guide	G40305RM	1
2	Upper Media Guide Plate (Snap Plate)	48043-2	1
	Kit Internal Fan-Fold Supply Bin	G40457	1
	Peel/Tear Bar	32415	1

Liner Rewind Components

Item Number	Description	Part Number	Kit Quantity
	Kit Upgrade Liner Rewind	G33180	1
	Ribbon/Liner Take-Up Teflon J Hook	40490-2	1

Media Rewind Components

Item Number	Description	Part Number	Kit Quantity
	Kit Upgrade Media Rewind	G33181	1
	Kit Maintenance Media Rewind Spindle	G40055RM	1
	Kit Media Rewind Plate	G40383RM	1
	Media Rewind Hook	47062-2	1



105SL Parts Catalog

Cutter Components

Item Number	Description	Part Number	Kit Quantity
	Kit Cutter Catch Tray (includes anti-wind tube)	G48459	1
	Kit Cutter Motor	G30374M	1
	Kit Cutter Upper Drive Arm	46280M	1
	Kit Main Cutter Link	G30378M	1
	Kit Slotted Cutter Link	G30379M	1
	Kit Lower Drive Arm	G40380M	1
	Kit PCB Cutter	G49730M	1
	Cutter Static Brush 6.50 x .50	40320	1

Packing Materials for Printer Shipping

Item Number	Description	Part Number	Kit Quantity
	105SL Packing Material	45311PM	1
	105SL Packing Material Qty of 10	45311PBM	10

Hardware

Item Number	Description	Part Number	Kit Quantity
	Screw 6-32 .37 Lk Hx S Zn, QTY OF 100	HW32334	100
	Screw 6-32 .25, Qty of 50	HW30392-004	25
	Nut 6-32, Qty of 25	HW33809	25
	Nut 4-40 R S Zn Hx Elwash, Qty of 25	HW33823	25
	Crescent Ring Ext .250 Yel, Qty of 100	HW33810	100
	Felt Washers for Ribbon Take Up Spindle Qty of 50	HW30041-1	50
	Screw 4-40 x .31, Qty of 25	HW78802	25
	Screw M4 x .7 x 5 Pn Ph Blk, Qty of 25	HW33826	25
	Bearing .500 x .252 x .250, Qty of 10	HW30198	10
	Bearing .375 x .189 x .125, Qty of 25	HW30199	25
	Washer Flt .564 x .384 x .060, Qty of 10	HW33806	10
	Screw 4-40 x .25 Tr Ph S, Qty of 25	HW32332	25
	Washer .32 x .119 x .062 Neo Bl, Qty of 25	HW30494	25
	Washer Flt .207 x .146 x .030, Qty of 10	HW30956	10
	Rubber Grommet 1.25 x .62 x .105, Qty of 10	HW46091	10
	Hole Plug, Qty of 25	HW46267	25
	Spacer PS Top Qty of 25	HW49313	25
	Spacer, Qty of 25	HW22004-1	25
	Screw 4-40 x .37, Qty of 25	HW30391-006	25
	Scrw 10-32 .312 Cp So H Bo, Qty of 25	HW30394-005	25
	Screw 4-40 x .12, Qty of 25	HW30401-002	25
	Screw 1/4 x 20 x .38 Bu So H Bo, Qty of 25	HW30405-006	25
	Screw 4-40 x .375, Qty of 25	HW30406-006	25
	Screw 6-32 x 0.5, Qty of 25	HW30407-008	25
	Screw 6-32 x .375, Qty of 25	HW30422-006	25
	Screw 6-32 0.37, Qty of 25	HW32413-006	25
	Screw 4-40 3/16, Qty of 100	HW46882-003	100
	Screw M4 x .7 x 10, Qty of 100	HWQ10011	100
	Ring E Ext .250, Qty of 100	HWQ10019	100