

Keep Zebra® Printheads Clean for Optimum Performance!

*For best results, use the printhead instructions
on the back of this card with these Genuine
Zebra cleaning supplies:*



Clean Penn™
(#105950-035)

Alcohol Swabs
(#47362)

Extend printhead life with Genuine Zebra Supplies.

Order your cleaning supplies today, plus Genuine Zebra labels • ribbons • tags • wristbands • tickets • printer accessories at www.zipzebra.com, or contact your supplies specialist at +1 866 230 9495.



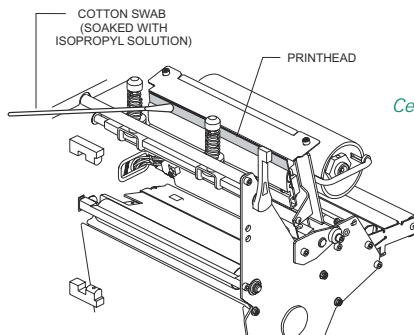
Cleaning the Zebra Printhead

Inconsistent print quality such as voids in the bar codes or graphics may indicate a dirty printhead. Furthermore, printing in direct thermal mode may shorten the life of the printhead due to increased abrasion.

For optimum performance, the printhead should be cleaned regularly. Zebra Technologies recommends printhead cleaning when installing any new ribbon roll or after three label rolls. And to extend printhead life, quality label stock and media supplies should be used. Genuine Zebra Supplies offer top quality as well as the greatest compatibility with Zebra printers.

Printhead Cleaning Procedure

1. Open the Printhead Assembly according to your User Guide instructions.
2. Remove the media and ribbon (if present).
3. Use a Genuine Zebra cleaning swab (part number 47362) or Clean Penn (part number 105950-035) and wipe the print elements from end to end. (The print elements are the grayish/black strip just behind the chrome strip on the underside of the printhead.) Allow a few seconds for the solvent to evaporate.
4. Rotate the Platen Roller and clean thoroughly with a new cleaning swab as well.
5. Brush or vacuum any accumulated paper lint and dust away from the rollers and the media and ribbon sensors.
6. Reload ribbon and/or media, close and latch the printhead, restore power (if necessary) and run the PAUSE Key self test to verify print quality.



Certain models may vary; not all as shown.