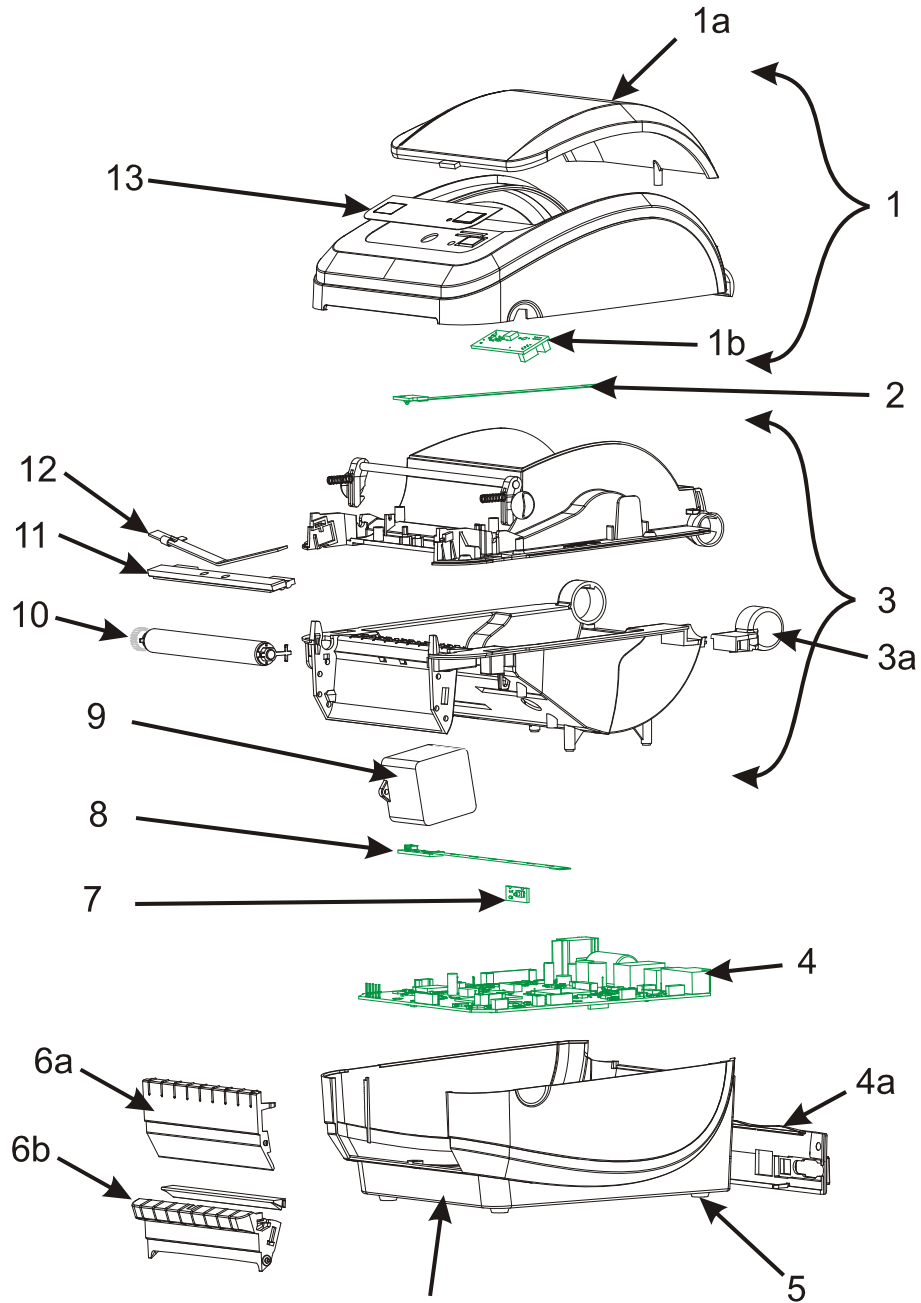


GK420d



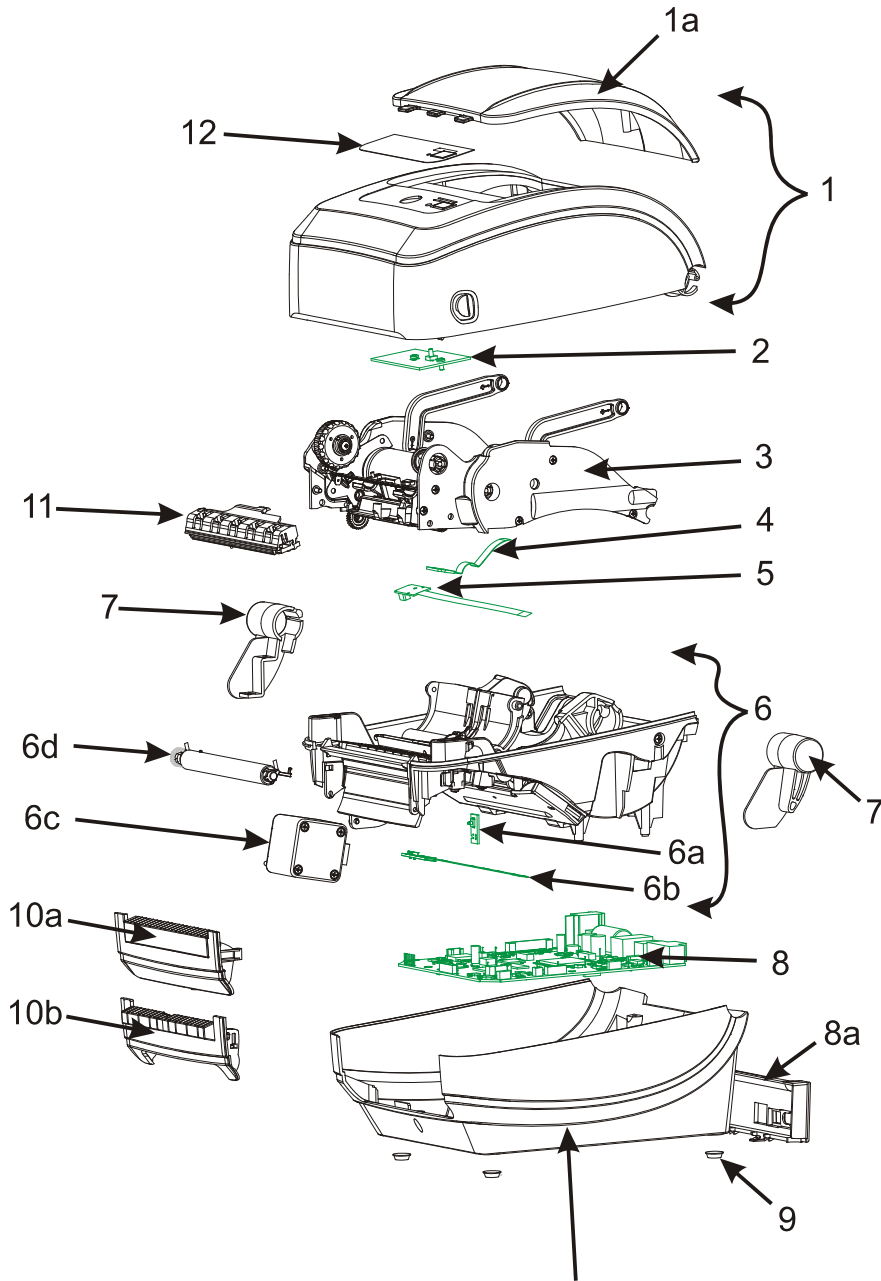
Note: the printer base is only available through the Zebra Repair Depot.

Refer to parts list on next page.

Item #	Description	Part Number	Support Qty. ¹
1	Cover Assy (Direct Thermal) (includes Media Window)	105934-005	4
1a	Media Window (Direct Thermal)	105934-001	4
1b	Feed Switch (Direct Thermal)	105934-003	8
2	Upper Gap Sensor, Fixed (Direct Thermal)	105934-007	8
3	Print Mech. Fxd Sensor (DT) (inc Hinge, PH Cables, Feed Switch Cable)	105934-011	2
3a	Cover Hinge (Direct Thermal)	105934-047	8
4	GK Main Logic Board, USB/Serial, ZBI	105934-070	4
4a	Back Panel, USB/Serial (Direct Thermal)	105934-071	4
4	GK Main Logic Board, USB/Ethernet, ZBI	105934-073	4
4a	Back Panel, USB/Ethernet (Direct Thermal)	105934-074	4
	Interface Fuse, 1A	105934-076	10
5	Rubber Foot (set of 4)	105934-024	12
6	Front Bezel, Std (Direct Thermal)	105934-025	8
6a	Front Bezel, Dispenser (Direct Thermal)	105934-026	8
7	Head Up Sensor (Direct Thermal)	105934-041	4
8	Gap/Blackline Sensor, Fixed (Direct Thermal)	105934-043	8
9	Motor Assy., 203dpi (Direct Thermal)	105934-022	2
10	Platen, Std (Direct Thermal)	105934-034	8
	Platen Bearings (Direct Thermal)	105934-059	2
11	Printhead, 203dpi (Direct Thermal)	105934-037	4
12	Printhead Spring/Clip (Direct Thermal)	105934-040	4
13	Nameplate, GK420d (Direct Thermal)	105934-060	4
Not Shown	Shipping Pack (Direct Thermal)	105934-050	A/R
	Users CD-ROM	105934-052	A/R
	Power Supply, 70W C13 with US & Euro Cords	105934-053	4
	Power Cord, U.S. 120V IEC320C13 (set of 5)	105950-014	1
	Power Cord, Euro 220V IEC320C13 (set of 5)	105950-015	1
	Power Cord, U.K. 240V IEC320C13 (set of 5)	105950-030	1
	Power Cord, Australia 240V IEC320C13 (set of 5)	105950-029	1
	Power Cord, China 220V C13 (set of 5)	105950-078	1
	Power Cord, Japan 125V JAPAN C13 (set of 5)	105950-079	1
	Power Cord, 220V Argentina C13 (set of 5)	105950-080	1
	CD-ROM, Service, G-Series	105950-087	1

Notes: 1 - Recommended quantity to support 100 printers.

GK420t



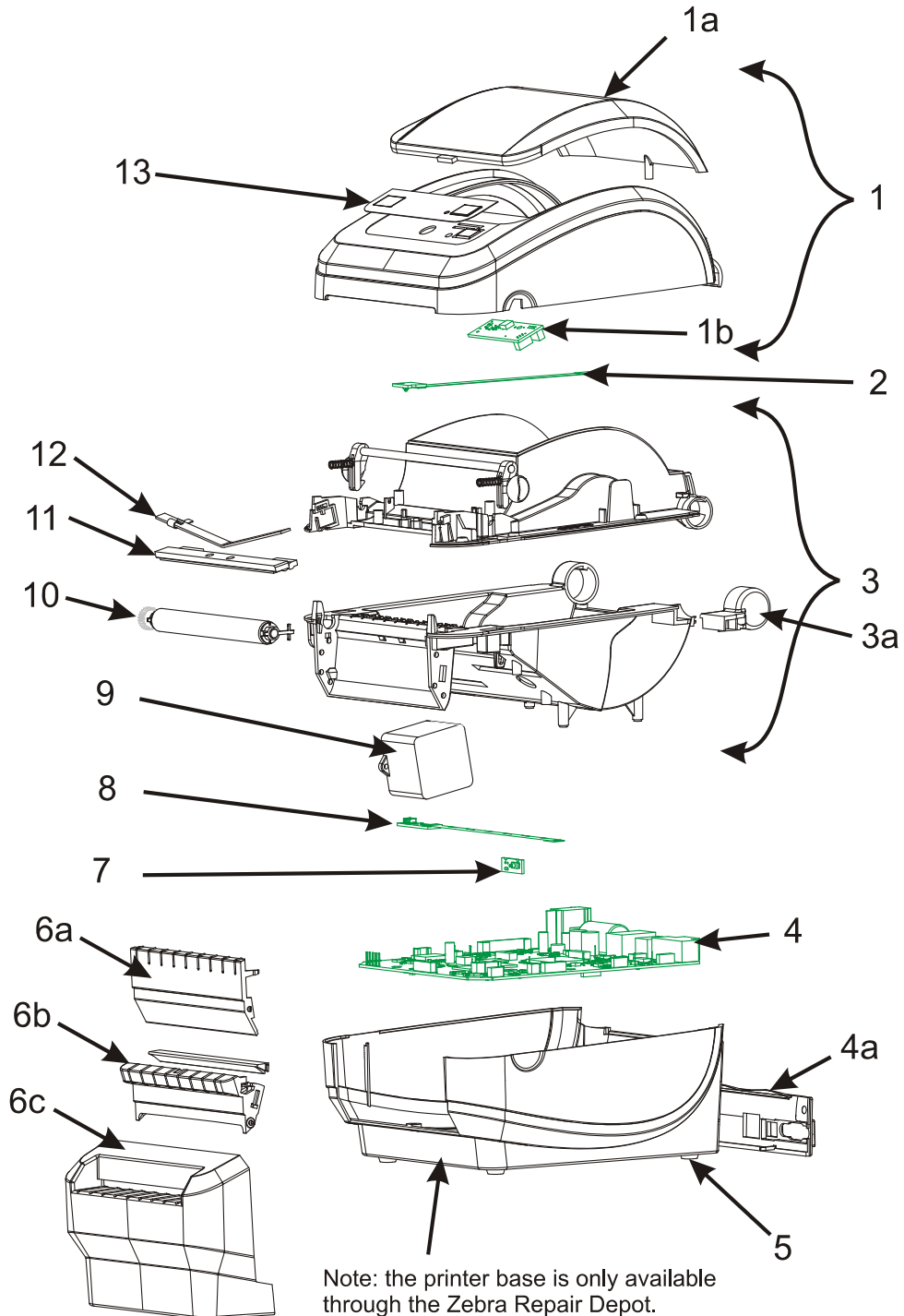
Note: the printer base is only available through the Zebra Repair Depot.

Refer to parts list on next page.

Item #	Description	Part Number	Support Qty. ¹
1	Cover Assy (Thermal Transfer) (includes Media Window)	105934-006	4
1a	Media Window (Thermal Transfer)	105934-002	4
2	Feed Switch (Thermal Transfer)	105934-004	8
3	Ribbon Carriage, 203 dpi	105934-017	4
4	Upper Gap Sensor, Fixed (Thermal Transfer)	105934-009	8
5	Ribbon Out Sensor (Thermal Transfer)	105934-046	8
6	Prnt Mech Fxd Snsr,200(TT) inc Gap/Blkln Snsr, Motor, Pltn, Head Up Snsr	105934-111	2
6b	Gap/Blackline Sensor, Fixed (Thermal Transfer)	105934-045	8
6a	Head Up Sensor (Thermal Transfer)	105934-042	4
6c	Motor Assy., 203dpi (Thermal Transfer)	105934-058	2
6d	Platen, Std (Thermal Transfer)	105934-035	8
	Platen Bearings (Thermal Transfer)	105934-099	2
7	Cover Hinge Right and Left (Thermal Transfer)	105934-048	8
8	GK Main Logic Board, USB/Serial, ZBI	105934-070	4
8a	Back Panel, USB/Serial (Thermal Transfer)	105934-072	4
8	GK Main Logic Board, USB/Ethernet, ZBI	105934-073	4
8a	Back Panel, USB/Ethernet (Thermal Transfer)	105934-075	4
	Interface Fuse, 1A	105934-076	10
9	Rubber Foot (set of 4)	105934-024	12
10	Front Bezel, Std (Thermal Transfer)	105934-030	8
10b	Front Bezel, Dispenser (Thermal Transfer)	105934-031	8
11	Printhead, 203dpi (Thermal Transfer)	105934-038	4
12	Nameplate, GK420t (Thermal Transfer)	105934-061	4
Not Shown	Shipping Pack (Thermal Transfer)	105934-051	A/R
	Users CD-ROM	105934-052	A/R
	Power Supply, 70W C13 with US & Euro Cords	105934-053	4
	Power Cord, U.S. 120V IEC320C13 (set of 5)	105950-014	1
	Power Cord, Euro 220V IEC320C13 (set of 5)	105950-015	1
	Power Cord, U.K. 240V IEC320C13 (set of 5)	105950-030	1
	Power Cord, Australia 240V IEC320C13 (set of 5)	105950-029	1
	Power Cord,China 220V C13 (set of 5)	105950-078	1
	Power Cord, Japan 125V JAPAN C13 (set of 5)	105950-079	1
	Power Cord, 220V Argentina C13 (set of 5)	105950-080	1
	CD-ROM, Service, G-Series	105950-087	1

Notes: 1 - Recommended quantity to support 100 printers.

GX420d



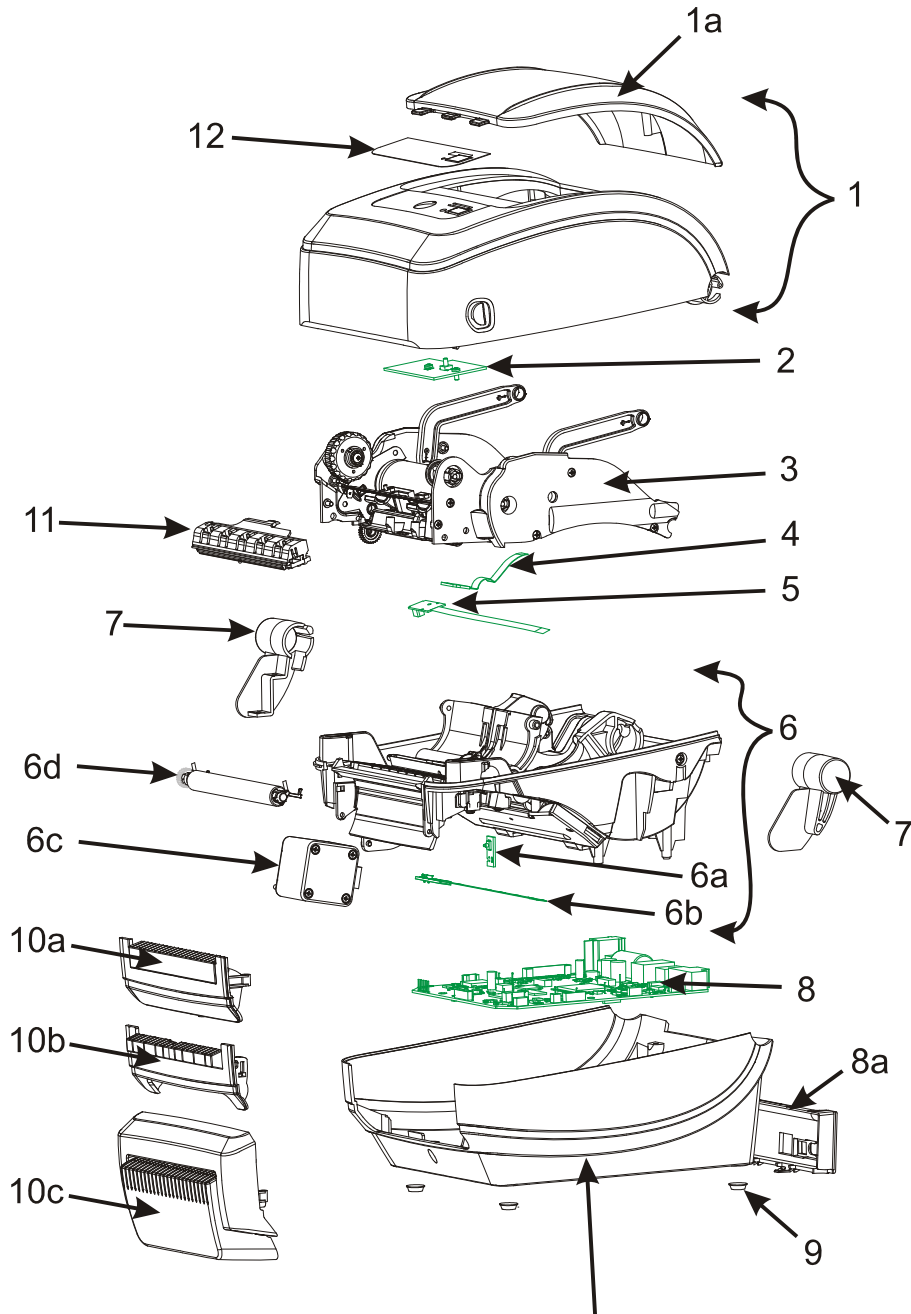
Note: the printer base is only available through the Zebra Repair Depot.

Refer to parts list on next page.

Item #	Description	Part Number	Support Qty. ¹
1	Cover Assy (Direct Thermal) (includes Media Window)	105934-005	4
	Cover Assy w/cutter (Direct Thermal)	105934-108	4
	Cover Assy w/cutter, wireless (Direct Thermal)	105934-109	4
	LCD Cover Assy (Direct Thermal) (includes Media Window)	105934-049	4
1a	Media Window (Direct Thermal)	105934-001	4
1b	Feed Switch (Direct Thermal)	105934-003	8
	LCD Display/Feed Switch (with Bluetooth Wireless)	105934-056	4
	LCD Display/Feed Switch (with 802.11g Wireless)	105934-057	4
2	Upper Gap Sensor, Fixed (Direct Thermal)	105934-007	8
2	Upper Gap Sensor, Movable (Direct Thermal)	105934-008	8
3	Print Mech. Fxd Sensor (DT) (inc Hinge, PH Cables, Feed Switch Cable)	105934-011	2
3	Print Mech. Mvbl Snsr (DT) (inc Hinge, Prnt Head Cbls, Feed Swtch Cable)	105934-012	2
3a	Cover Hinge (Direct Thermal)	105934-047	8
4	GX Main Logic Board, USB/Serial/Parallel, ZBI	105934-080	4
4	GX Main Logic Board, USB/Serial/Parallel, 64MB, XMEM, RTC, ZBI	105934-081	4
4	GX MLB, USB/Serial/Parallel, 64MB, RTC, 200DPI, Liner Tag Cutter, ZBI	105934-107	4
4a	Back Panel, USB/Serial/Parallel (Direct Thermal)	105934-082	4
4	GX Main Logic Board, USB/Serial/Ethernet, ZBI	105934-084	4
4	GX Main Logic Board, USB/Serial/Ethernet, 64MB, RTC, 200DPI, ZBI	105934-113	4
4	GX MLB, USB/Serial/Ethernet, 64MB, RTC, 200DPI, Liner Tag Cutter, ZBI	105934-105	4
4a	Back Panel, USB/Serial/Ethernet (Direct Thermal)	105934-086	4
4	GX Main Logic Board, USB/Serial/802.11g Wireless 64MB, 200 dpi, ZBI	105934-114	4
4	GX Main Logic Board, USB/Serial/Bluetooth Wireless 64MB, 200 dpi, ZBI	105934-115	4
4	GX MLB, USB/Serial/802.11g Wireless, 64MB, 200DPI, Liner Tag cutter, ZBI	105934-101	4
4	GX MLB, USB/Serial/Bluetooth Wireless, 64MB, 200DPI, Liner Tag Cutter, ZBI	105934-103	4
4a	Back Panel, USB/Serial/Wireless (Direct Thermal)	105934-089	4
	Interface Fuse, 1A	105934-076	10
	Battery, 3V Lithium (set of 10)	G105950-003	1
5	Rubber Foot (set of 4)	105934-024	12
6a	Front Bezel, Std (Direct Thermal)	105934-025	8
6b	Front Bezel, Dispenser (Direct Thermal)	105934-026	8
6c	Light Duty Cutter (Direct Thermal)	105934-027	1
6c	Medium Duty Partial Cut Cutter (Direct Thermal)	105934-028	1
6c	Medium Duty Liner Free Cutter (Direct Thermal)	105934-055	1
6c	Medium Duty Full Cut Cutter (Direct Thermal)	105934-029	1
7	Head Up Sensor (Direct Thermal)	105934-041	4
8	Gap/Blackline Sensor, Fixed (Direct Thermal)	105934-043	8
9	Motor Assy., 203dpi (Direct Thermal)	105934-022	2
10	Platen, Std (Direct Thermal)	105934-034	8
10	Platen, Liner Free (Direct Thermal)	105934-036	1
	Platen Bearings (Direct Thermal)	105934-059	2
11	Printhead, 203dpi (Direct Thermal)	105934-037	4
12	Printhead Spring/Clip (Direct Thermal)	105934-040	4
13	Nameplate, GX420d (Direct Thermal)	105934-062	4
	Nameplate, GX420d with LCD (Direct Thermal)	105934-067	4
Not Shown	Shipping Pack (Direct Thermal)	105934-050	A/R
	Users CD-ROM	105934-052	A/R
	Power Supply, 100W C13 with US & Euro Cords	105934-054	4
	Power Cord, U.S. 120V IEC320C13 (set of 5)	105950-014	1
	Power Cord, Euro 220V IEC320C13 (set of 5)	105950-015	1
	Power Cord, U.K. 240V IEC320C13 (set of 5)	105950-030	1
	Power Cord, Australia 240V IEC320C13 (set of 5)	105950-029	1
	Power Cord, China 220V C13 (set of 5)	105950-078	1
	Power Cord, Japan 125V JAPAN C13 (set of 5)	105950-079	1
	Power Cord, 220V Argentina C13 (set of 5)	105950-080	1
	CD-ROM, Service, G-Series	105950-087	1

Notes: 1 - Recommended quantity to support 100 printers.

GX420t



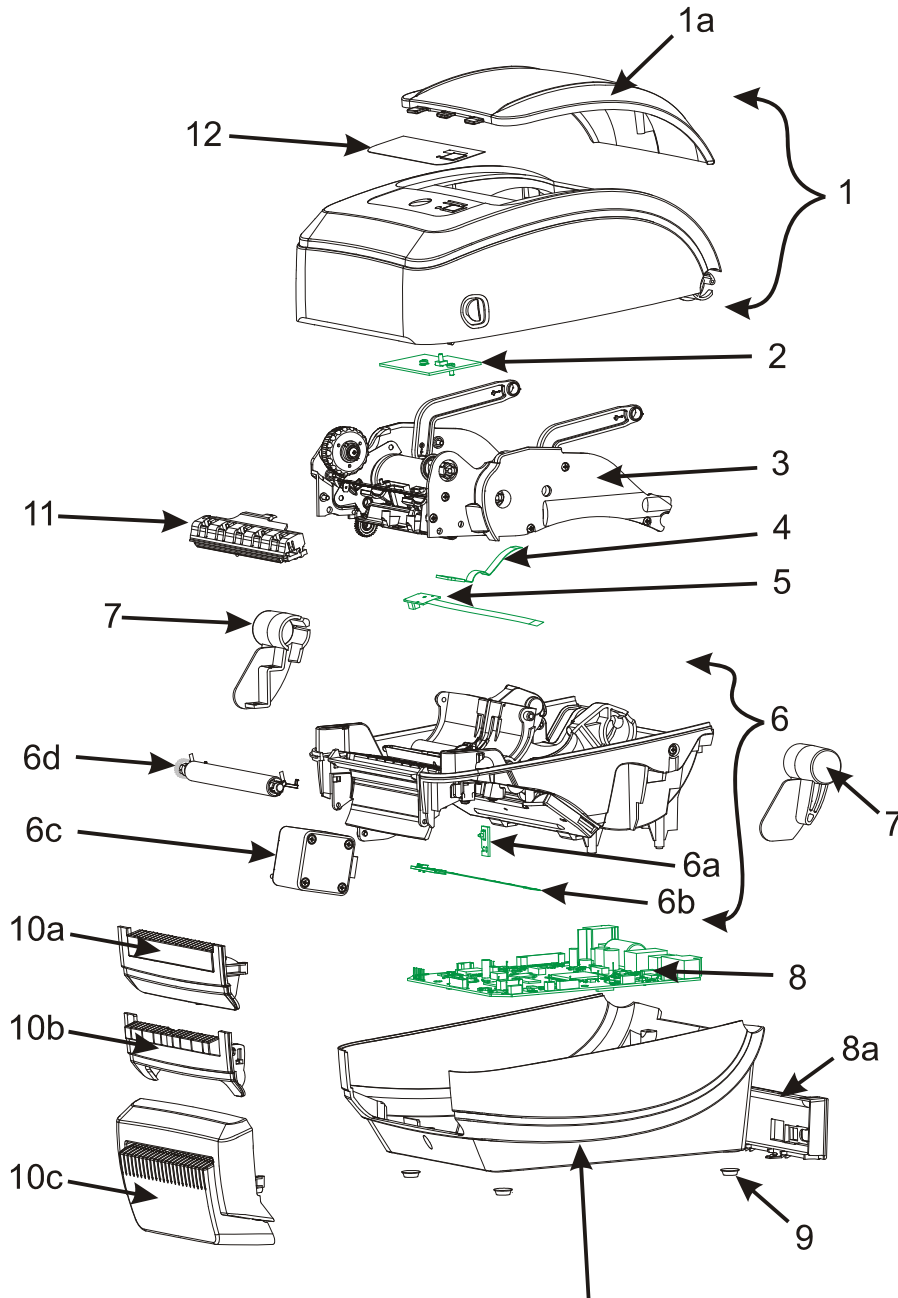
Note: the printer base is only available through the Zebra Repair Depot.

Refer to parts list on next page.

Item #	Description	Part Number	Support Qty. ¹
1	Cover Assy (Thermal Transfer) (includes Media Window)	105934-006	4
1a	Media Window (Thermal Transfer)	105934-002	4
2	Feed Switch (Thermal Transfer)	105934-004	8
	LCD Display/Feed Switch (with Bluetooth Wireless)	105934-056	4
	LCD Display/Feed Switch (with 802.11g Wireless)	105934-057	4
3	Ribbon Carriage, 203 dpi	105934-017	4
4	Upper Gap Sensor, Fixed (Thermal Transfer)	105934-009	8
	Upper Gap Sensor, Movable (Thermal Transfer)	105934-010	8
5	Ribbon Out Sensor (Thermal Transfer)	105934-046	8
6	Prnt Mech Fxd Snsr,200(TT) inc Gap/Blckln Snsr, Motor, Pltn, Head Up Snsr	105934-111	2
6b	Gap/Blackline Sensor, Fixed (Thermal Transfer)	105934-045	8
6	PrintMech Mvbl Snsr,200dpi(TT)inc Gap/Blckln Snsr,Mtr,Pltn,HeadUp Snsr	105934-014	2
6b	Gap/Blackline Sensor, Moveable (Thermal Transfer)	105934-044	8
6a	Head Up Sensor (Thermal Transfer)	105934-042	4
6c	Motor Assy., 203dpi (Thermal Transfer)	105934-058	2
6d	Platen, Std (Thermal Transfer)	105934-035	8
	Platen Bearings (Thermal Transfer)	105934-099	2
7	Cover Hinge Right and Left (Thermal Transfer)	105934-048	8
8	GX Main Logic Board, USB/Serial/Parallel, ZBI	105934-080	4
8	GX Main Logic Board, USB/Serial/Parallel, 64MB, XMEM, RTC, ZBI	105934-081	4
8	GX MLB, USB/Serial/Parallel, 64MB, RTC, 200DPI,Liner Tag Cutter, ZBI	105934-107	4
8a	Back Panel, USB/Serial/Parallel (Thermal Transfer)	105934-083	4
8	GX Main Logic Board, USB/Serial/Ethernet, ZBI	105934-084	4
8	GX Main Logic Board, USB/Serial/Ethernet, 64MB, RTC, 200DPI, ZBI	105934-113	4
8	GX MLB, USB/Serial/Ethernet, 64MB, RTC,200DPI, Liner Tag Cutter, ZBI	105934-105	4
8a	Back Panel, USB/Serial/Ethernet (Thermal Transfer)	105934-087	4
8	GX Main Logic Board, USB/Serial/802.11g Wireless 64MB, 200 dpi, ZBI	105934-114	4
8	GX Main Logic Board, USB/Serial/Bluetooth Wireless 64MB, 200 dpi, ZBI	105934-115	4
8	GX MLB, USB/Serial/802.11g Wireless, 64MB,200DPI,Liner Tag cutter, ZBI	105934-101	4
8	GX MLB, USB/Serial/Bluetooth Wireless,64MB, 200DPI,Liner Tag Cutter,ZBI	105934-103	4
8a	Back Panel, USB/Serial/Wireless (Thermal Transfer)	105934-090	4
	Interface Fuse, 1A	105934-076	10
	Battery, 3V Lithium (set of 10)	G105950-003	1
9	Rubber Foot (set of 4)	105934-024	12
10	Front Bezel, Std (Thermal Transfer)	105934-030	8
10b	Front Bezel, Dispenser (Thermal Transfer)	105934-031	8
10c	Med Duty Partial Cutter (Thermal Transfer)	105934-110	1
10c	Light Duty Cutter (Thermal Transfer)	105934-032	1
10c	Medium Duty Full Cut Cutter (Thermal Transfer)	105934-033	1
11	Printhead, 300dpi (Thermal Transfer)	105934-039	4
12	Nameplate, GX430t (Thermal Transfer)	105934-064	4
	Nameplate, GX430t with LCD (Thermal Transfer)	105934-069	4
Not Shown	Shipping Pack (Thermal Transfer)	105934-051	A/R
	Users CD-ROM	105934-052	A/R
	Power Supply, 100W C13 with US & Euro Cords	105934-054	4
	Power Cord, U.S. 120V IEC320C13 (set of 5)	105950-014	1
	Power Cord, Euro 220V IEC320C13 (set of 5)	105950-015	1
	Power Cord, U.K. 240V IEC320C13 (set of 5)	105950-030	1
	Power Cord, Australia 240V IEC320C13 (set of 5)	105950-029	1
	Power Cord,China 220V C13 (set of 5)	105950-078	1
	Power Cord, Japan 125V JAPAN C13 (set of 5)	105950-079	1
	Power Cord, 220V Argentina C13 (set of 5)	105950-080	1
	CD-ROM, Service, G-Series	105950-087	1

Notes: 1 - Recommended quantity to support 100 printers.

GX430t



Note: the printer base is only available through the Zebra Repair Depot.

Refer to parts list on next page.

Item #	Description	Part Number	Support Qty. ¹
1	Cover Assy (Thermal Transfer) (includes Media Window)	105934-006	4
1a	Media Window (Thermal Transfer)	105934-002	4
2	Feed Switch (Thermal Transfer)	105934-004	8
	LCD Display/Feed Switch (with Bluetooth Wireless)	105934-056	4
	LCD Display/Feed Switch (with 802.11g Wireless)	105934-057	4
3	Ribbon Carriage, 300 dpi	105934-018	4
4	Upper Gap Sensor, Fixed (Thermal Transfer)	105934-009	8
	Upper Gap Sensor, Movable (Thermal Transfer)	105934-010	8
5	Ribbon Out Sensor (Thermal Transfer)	105934-046	8
6	PrntMech Fxd Snsr,300(TT) inc Gap/Blckln Snsr, Motor, Pltn, Head Up Snsr	105934-112	2
6b	Gap/Blackline Sensor, Fixed (Thermal Transfer)	105934-045	8
6	PrntMech Mvbl Snsr,300 dpi(TT)inc Gap/Blckln Snsr,Mtr,Pltn,HeadUp Snsr	105934-016	2
6b	Gap/Blackline Sensor, Moveable (Thermal Transfer)	105934-044	8
6a	Head Up Sensor (Thermal Transfer)	105934-042	4
6c	Motor Assy., 300dpi	105934-023	2
6d	Platen, Std (Thermal Transfer)	105934-035	8
	Platen Bearings (Thermal Transfer)	105934-099	2
7	Cover Hinge Right and Left (Thermal Transfer)	105934-048	8
8	GX Main Logic Board, USB/Serial/Parallel, 300DPI, ZBI	105934-093	4
8	GX Main Logic Board, USB/Serial/Parallel, 64MB, RTC, 300DPI, ZBI	105934-094	4
8	GX MLB, USB/Serial/Parallel, 64MB, RTC, 300DPI, Liner Tag Cutter, ZBI	105934-106	4
8a	Back Panel, USB/Serial/Parallel (Thermal Transfer)	105934-083	4
8	GX Main Logic Board, USB/Serial/Ethernet, 300DPI, ZBI	105934-095	4
8	GX Main Logic Board, USB/Serial/Ethernet, 64MB, RTC, 300DPI, ZBI	105934-096	4
8	GX MLB, USB/Serial/Ethernet, 64MB, RTC, 300DPI, Liner Tag Cutter, ZBI	105934-104	4
8a	Back Panel, USB/Serial/Ethernet (Thermal Transfer)	105934-087	4
8	GX Main Logic Board, USB/Serial/802.11g Wireless, 64MB, 300DPI, ZBI	105934-097	4
8	GX Main Logic Board, USB/Serial/Bluetooth Wireless, 64MB, 300DPI, ZBI	105934-098	4
8	GX MLB, USB/Serial/802.11g Wireless, 64MB,300DPI,Liner Tag Cutter, ZBI	105934-100	4
8	GX MLB, USB/Serial/Bluetooth Wireless, 64MB,300DPI,Liner Tag Cutter,ZBI	105934-102	4
8a	Back Panel, USB/Serial/Wireless (Thermal Transfer)	105934-090	4
	Interface Fuse, 1A	105934-076	10
	Battery, 3V Lithium (set of 10)	G105950-003	1
9	Rubber Foot (set of 4)	105934-024	12
10	Front Bezel, Std (Thermal Transfer)	105934-030	8
10b	Front Bezel, Dispenser (Thermal Transfer)	105934-031	8
10c	Med Duty Partial Cutter (Thermal Transfer)	105934-110	1
10c	Light Duty Cutter (Thermal Transfer)	105934-032	1
10c	Medium Duty Full Cut Cutter (Thermal Transfer)	105934-033	1
11	Printhead, 300dpi (Thermal Transfer)	105934-039	4
12	Nameplate, GX430t (Thermal Transfer)	105934-064	4
	Nameplate, GX430t with LCD (Thermal Transfer)	105934-069	4
Not Shown	Shipping Pack (Thermal Transfer)	105934-051	A/R
	Users CD-ROM	105934-052	A/R
	Power Supply, 100W C13 with US & Euro Cords	105934-054	4
	Power Cord, U.S. 120V IEC320C13 (set of 5)	105950-014	1
	Power Cord, Euro 220V IEC320C13 (set of 5)	105950-015	1
	Power Cord, U.K. 240V IEC320C13 (set of 5)	105950-030	1
	Power Cord, Australia 240V IEC320C13 (set of 5)	105950-029	1
	Power Cord,China 220V C13 (set of 5)	105950-078	1
	Power Cord, Japan 125V JAPAN C13 (set of 5)	105950-079	1
	Power Cord, 220V Argentina C13 (set of 5)	105950-080	1
	CD-ROM, Service, G-Series	105950-087	1

Notes: 1 - Recommended quantity to support 100 printers.